

Bruno VPL-3300B Series

Enclosure Application - Design and Planning Guide



Bruno VPL-3300B Series

Table of contents

Planning Guide Purpose	3
Vertical Platform Lift Definition	3
Benefits of Vertical Platform Lifts	3
Design Assistance	3
General Information	3
How it Works/Key Components	4-5
Difference Between Enclosure and Hoistway/Shaftway	5
Lift Height and Floor-to-Floor Measuring.....	6
Platforms.....	6
Platform Configurations.....	7
Operating Controls.....	8
Options	9-10
Enclosure Doors and Gates.....	11
Site Construction Details.....	12
Application Specific Drawings	13-36
Landing Gate Detail.....	37-40
Flush Mount Aluminum Door Detail.....	41-45

Planning Guide Purpose

Use this planning guide to gain details on incorporating a Bruno Enclosure Vertical Platform Lift into a public building design. All Bruno commercial vertical platform lifts meet the following applicable codes and performance standards:

- ASME A18.1-2011 Section 2 (Public) Safety Standards for Platform Lifts and Stairway Chairlifts
- ASME A18.1-2014 Section 2 (Public) Safety Standards for Platform Lifts and Stairway Chairlifts
- ASME A18.1-2017 Section 2 (Public) Safety Standards for Platform Lifts and Stairway Chairlifts
- CAN/CSA B355-09 (Public) Lifts for Persons with Physical Disabilities
- CAN/CSA B355-15 (Public) Lifts for Persons with Physical Disabilities
- CSA B44.1-11/ASME A17.5-2011 - Elevator and Escalator Electrical Equipment
- CSA B44.1-14/ASME A17.5-2014 - Elevator and Escalator Electrical Equipment
- CSA - National Electric Code
- NFPA 70 - National Electric Code

Vertical Platform Lift Definition

Vertical platform lifts (VPLs) are a cost-effective solution to make a church, school, office or other public building accessible for people using mobility devices. Sometimes called a wheelchair lift, a VPL provides code-compliant access up to 14' in a variety of configurations (check with local jurisdiction) and are suitable for indoor or outdoor use.



Enclosure Vertical Platform Lift, access up to 14'

Benefits of Vertical Platform Lifts

When providing access up to 14' for a person in a wheelchair or other mobility device, code-compliant options include traditional elevators, ramps and vertical platform lifts. Vertical platform lifts can provide significant cost and space efficiencies.

Cost-Effective

Gain cost efficiencies by installing a vertical platform lift instead of an elevator or long ramp system.

Compact

Ramps require 12" horizontal travel for every 1" vertical travel. For example, a 36" rise would require a 36' ramp. In addition to taking up significant space, ramps can be fatiguing. A vertical platform lift saves space and is automatically powered.

Meets USA ADA Requirements

Vertical platform lifts are acknowledged in the Americans with Disabilities Act (ADA) Accessibility Guidelines as a means to provide public building access. Bruno VPLs are designed in accordance with ASME A18.1 section 2.

Design Assistance

Need help on specifying the right VPL configuration? Bruno's commercial VPL support professionals can help design the right solution for your project.

Email: commercialvpl@bruno.com. **Phone:** 800.848.3056

General Information

Finishes

Bruno's commercial VPL standard finish is electrostatically applied with a baked powder coat finish in champagne color. Platform and landing gate parts are E-coated for an extra level of protection from the outdoor elements.

Indoor / Outdoor

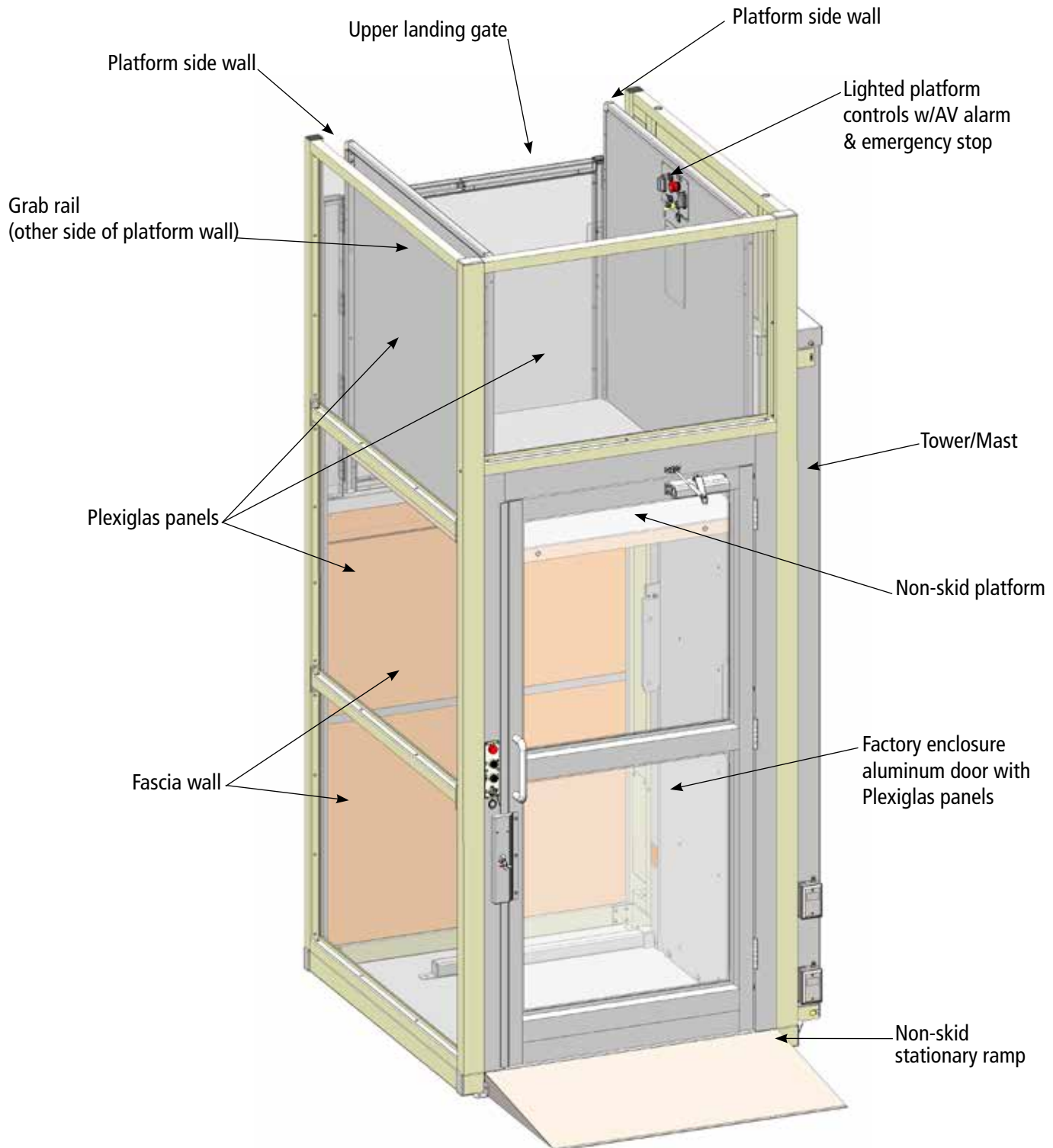
All Bruno VPLs are suitable for indoor and outdoor applications. Optional cold-weather package recommended if operating temperature is below 20° F/-7°C.

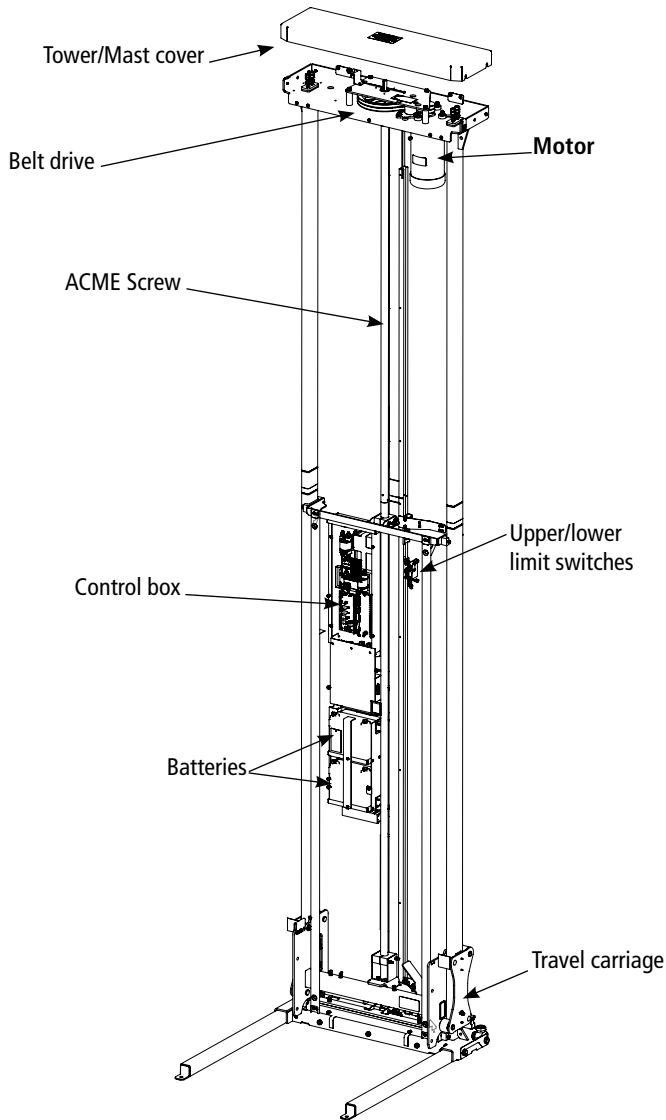
How It Works – Enclosure

Bruno's Enclosure Vertical Platform lift is lightweight, easy to install and available in multiple configurations for access up to 14'. Enclosure VPLs are self-contained, so no additional construction of a hoistway or shaftway is needed. All Bruno Enclosure configurations include an ACME screw-driven system

with full-time battery operation, platform with side walls, and interlock door system. With full-size Plexiglas door and panel inserts, Bruno's Enclosure VPL wheelchair lift is an attractive choice for ADA compliance. Bruno VPLs are Made-in-America.

Enclosure key components



ACME Screw Drive System (image shown is a "tall" model)

Power requirements: 120VAC, 3A, single phase, 60 Hz

Manual lowering tool: An optional manual hand crank is offered to lower the device. The manual lowering hand-wheel has a black plastic handle and slotted shape that engages a square key on the main screw drive.

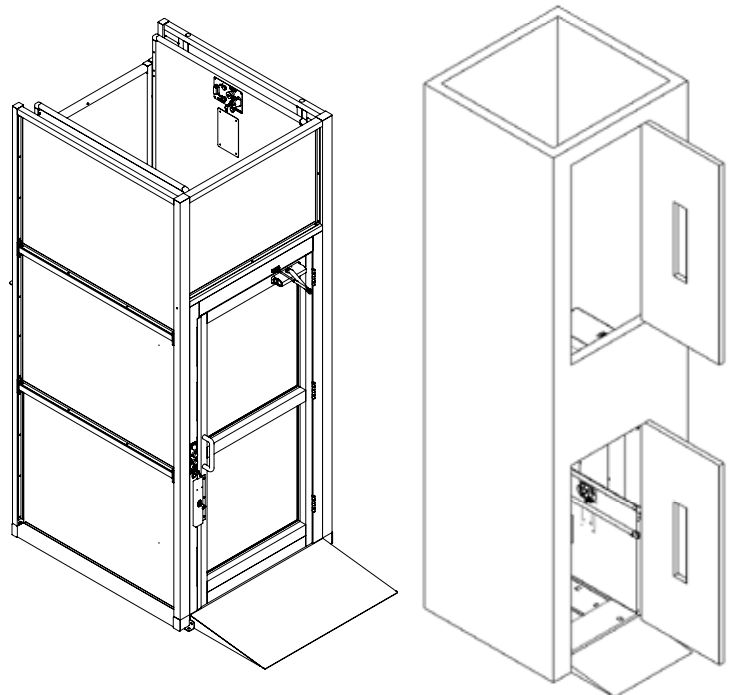
Emergency Battery Lowering System: standard on VPL models VPL-3310B, VPL-3312B, & VPL-3314B. In the event of a power failure, models VPL-3310B, VPL-3312B, and VPL-3314B have an external lockable keyed switch for lowering the platform by means of a separate battery located inside the electrical enclosure (control box).

Emergency Lowering Battery Backup Access Box
Standard on tall VPLs only (Models VPL-3310B, VPL-3312B, and VPL-3314B)**Difference between Enclosure and Shaftway/Hoistway****Enclosure**

All equipment is self-contained in an Enclosure VPL. All running clearances are built in, and it is constructed with an aluminum frame and Plexiglas side walls with a full-size Plexiglas door.

Shaftway/Hoistway

The vertical platform lift is placed inside a shaftway/hoistway built by others. The lift is hidden from sight behind two doors and equipment is placed inside the shaftway which is built to site drawings and meets running clearances of the lift.



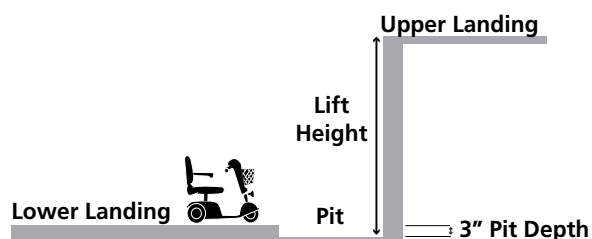
Enclosure model

Shaftway model

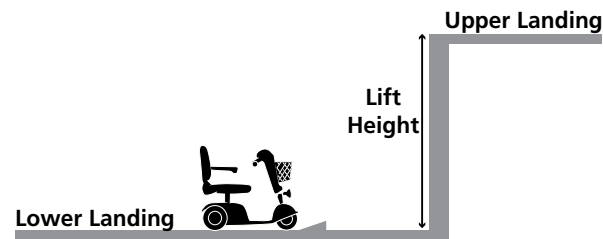
Lift Heights and Floor-to-Floor Measuring

Lift height is defined as the distance from the lower landing where the lift will be placed to the upper landing. The lift can be installed with or without a pit. In a pit installation, the measurement is from the bottom of the pit to the upper landing. For a floor installation, the measurement is from the floor to the upper landing.

Pit installation = Pit to floor distance



Floor installation = Floor to floor distance



Model selection is determined by floor-to-floor lift height, a critical measurement in designing a vertical platform lift. See below for a table to select the appropriate model based on lift height.

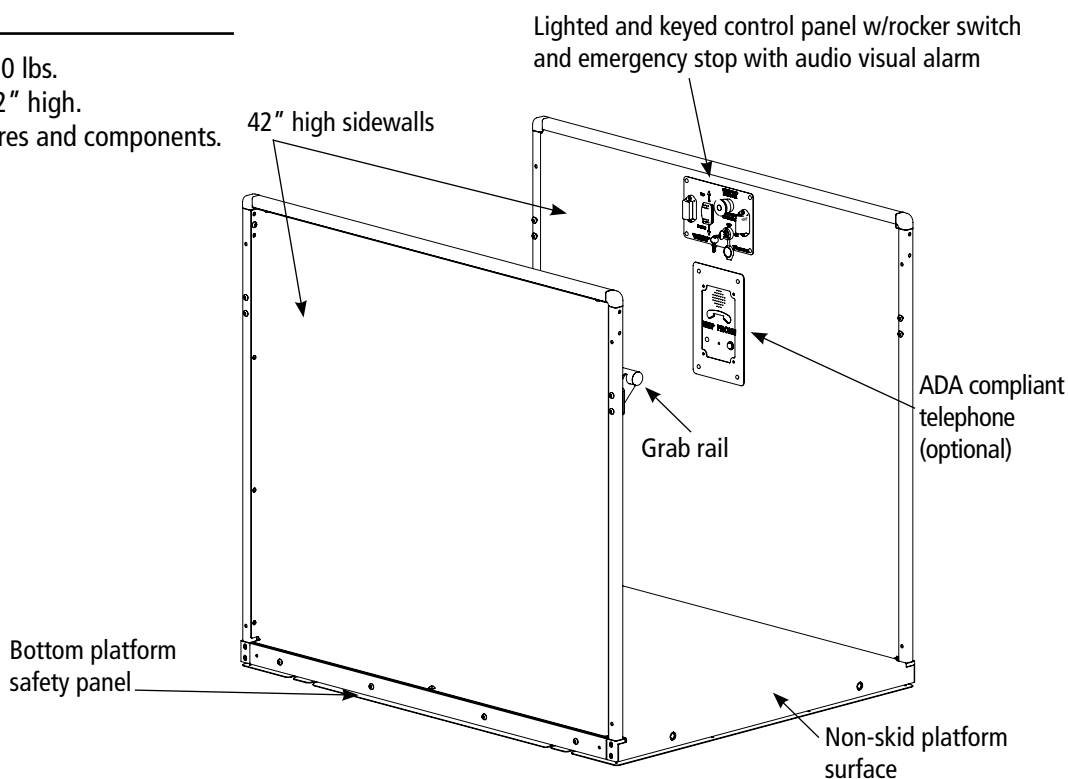
Enclosure Measures					
Model	Max Floor-to-Floor	Min Floor-to-Floor	Mast Height	Unit Height	Unit Weight
VPL-3353B	53"	11"	75-9/16"	95"	897 lb
VPL-3375B	75"	53"	97-9/16"	117"	970 lb
VPL-3310B	123"	75"	148-1/16"	165"	1210 lb
VPL-3312B	147"	75"	172-1/16"	189"	1304 lb
VPL-3314B	171"	75"	196-1/16"	213"	1400 lb

Platforms

The rated load for the platform is 750 lbs.
Solid side platform walls measure 42" high.
See below for typical platform features and components.

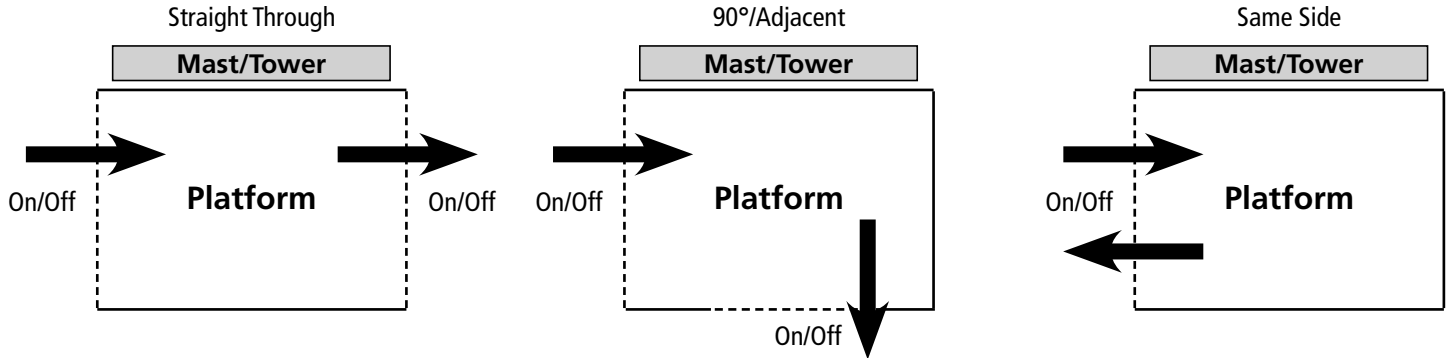
Platform Size Options:

- 36" x 54" – standard
- 36" x 48"
- 36" x 60"
- 42" x 60"



Platform Configurations

Platforms can be designed in multiple on/off configurations including Straight Through (most common), 90°/Adjacent and Same Side. See images below.



Enclosure platform configuration availability by model:

Model	Straight Through	90° / Adjacent*	Same Side
VPL-3353B	Yes	Yes	No
VPL-3375B	Yes	Yes	No
VPL-3310B	Yes	Yes	Yes
VPL-3312B	Yes	Yes	Yes
VPL-3314B	Yes	Yes	Yes

*See notes on page 11 if designing a 90° / Adjacent Platform.

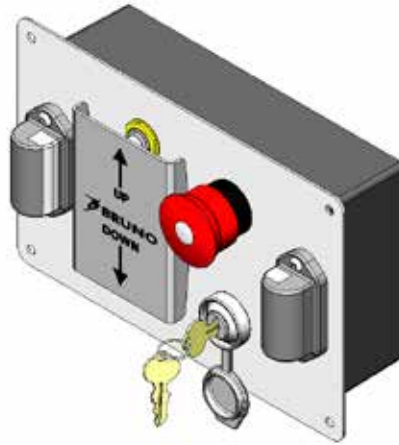
Number of Landings: 2-stop (upper and lower) are available.

Operating Controls

Platform Controls: All Bruno VPL-3300B Series lifts come standard with weather-protected, continuous pressure up and down rocker switch platform control. Optional paddle style control is available.



Rocker Switch Platform Control

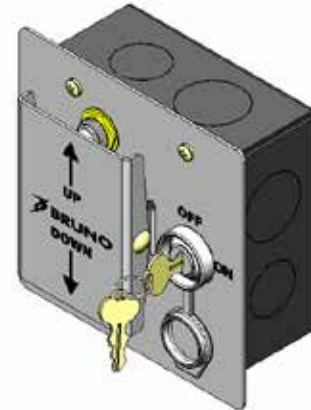


Paddle Platform Control

Call/Sends: Optional remote call/send controls come in rocker or paddle style and either flush or surface mount installation. Used on upper and lower landings.



Rocker / Surface mount



Paddle / Flush Mount

Upper Landing Controls: Optional upper landing gate controls are also available in both rocker or paddle style control.



Rocker



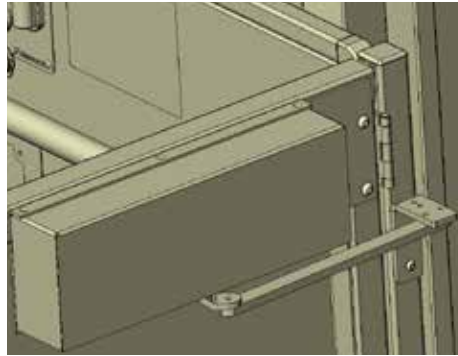
Paddle

Additional Options

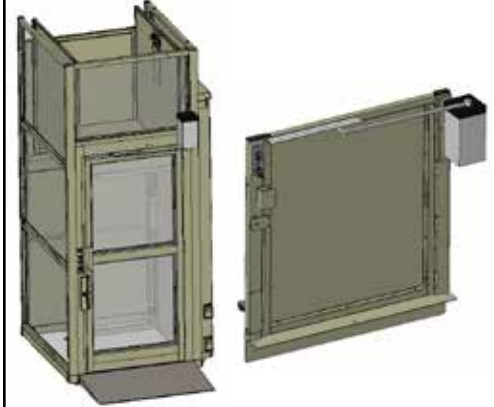
ADA Phone with Battery Backup



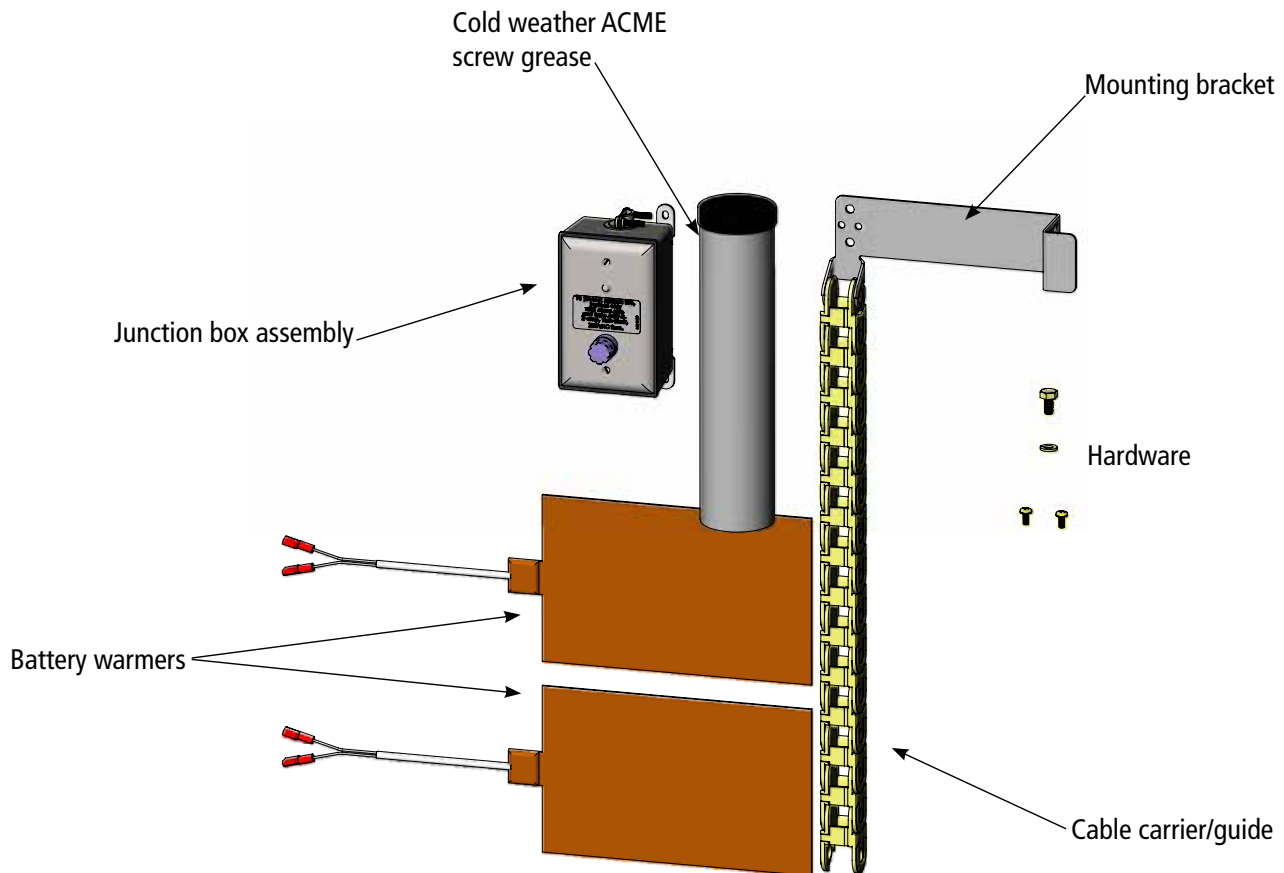
Platform Gate Operator



Doors and Upper Landing Gate Operator

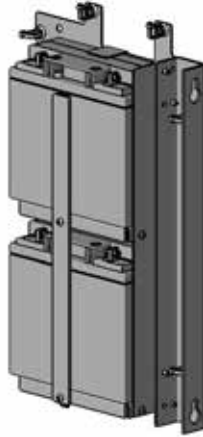


Cold weather package: recommended if operating temperature is below 20°F (-7°C)



Additional Options cont.

Battery Package Upgrade – 34AH
(upgrade package for
VPL-3353B & VPL-3375B only)



34AH Batteries

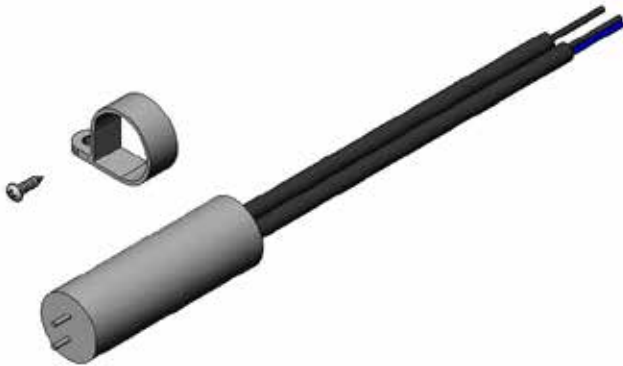
Pit Switch

Mounts inside the enclosure and ensures safety of someone working beneath the platform.



Flood Sensor

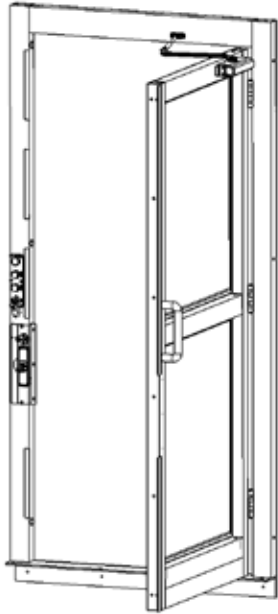
The flood sensor is used to detect water near the bottom of the VPL. The sensor can be mounted anywhere below the lower limit switches. When water is detected, the platform will stop moving in either up or down direction.



Bruno Enclosure Doors and Gates

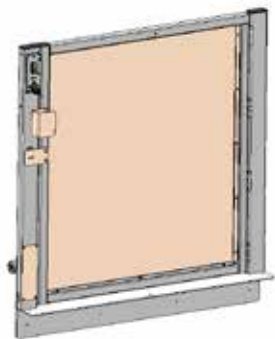
The Enclosure model includes a full-size aluminum framed door with Plexiglas panels for the lower landing. This door is equipped with an electric strike interlock system (ESI), is non-fire rated and comes pre-hung in an aluminum frame (optional for use at the upper landing). The height of the door is 80" and is available in two widths:

- 36" door (33-3/8" inside opening), 42" frame
- 45" door (42-3/8" inside opening), 51" frame

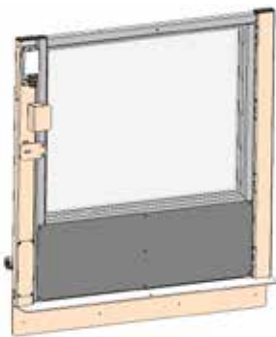


Another option is Bruno's upper landing gate includes Bruno's electrical mechanical interlock (EMI) or optional electric strike interlock (ESI), which releases the gate when platform is at the upper landing. Electronic sensors stop the platform from operating unless the gate is closed. Rocker switch upper landing control comes mounted to the gate. Paddle switch and/or remote mount are optional. Available with steel or Plexiglas panels in two sizes:

- 36" W x 42" H
- 42" W x 42" H



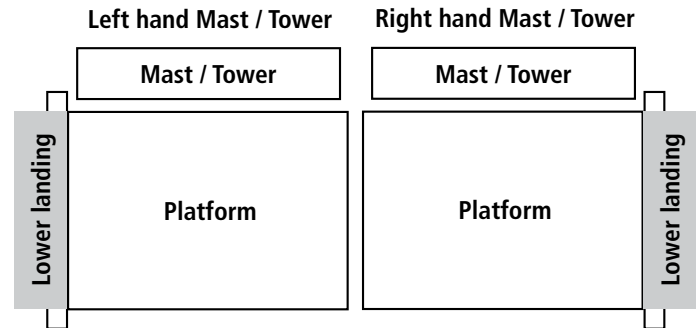
Steel panel, rocker switch



Plexiglas panel, paddle control

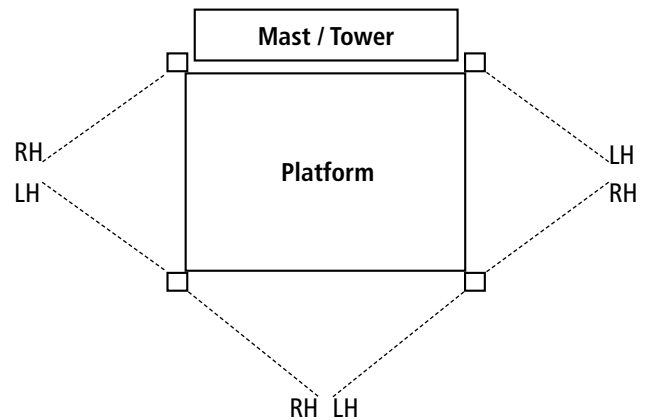
Hand of Mast / Tower

Hand of mast / tower is determined by the side the mast / tower is on when entering the lift at the lower landing. See below.



Gate and Door Swing Direction

Identify gate or door swing based on the direction the gate or door opens from the platform (see drawing below). For example, if a user's back is to the hinge and the right arm would be used to open the door or gate, it would require a right-hand swing.



Please note the following for most 90° / Adjacent Platforms:

- Left hand mast / tower requires right hand upper landing gate with EMI interlock.
- Right hand mast / tower requires left hand upper landing gate with EMI interlock.
- If this configuration cannot be achieved due to any design or structure requirements, an upper landing gate with an ESI lock can be used and this requirement will not apply.

Site Construction Details

Electrical Requirements:

Check applicable local codes for all electrical and wiring requirements. If it is determined that a GFI (Ground Fault Interrupter) outlet is required, use a GFI 120V, 15A, 60 Hz single phase circuit to operate the internal battery charger (charger draws 3A max.). National Electrical Code requires a GFI is used in all outdoor or wet environment applications.

Platform Pathway Requirements:

Make sure the platform pathway is clear of any electrical conduit and wire ways. Make sure no liquids, steam or gas piping discharge into the pathway, and ensure that there is sufficient headroom clearance (minimum of 80" – 2032 mm) throughout floor-to-floor travel. The area should be sufficiently lit.

Floor Recommendations:

A 4" (102 mm) thick, 3500 PSI minimum compressive strength, reinforced concrete slab. Refer to technical drawings for minimum slab dimensions. If the temperature can fall below freezing, it is recommended that you insert an insulation sheet between the concrete slab and the compacted rock.

Floor Attachment:

VPL must be fastened to concrete slab using four (4) 1/2" (3/8" bolt) x minimum 2-1/2" long concrete anchors suitable for the environment. Refer to technical drawings for mounting hole locations. Follow selected concrete anchor manufacturer's guidelines and applicable codes.

Top Landing Gate Attachment:

Gate is mounted to the enclosure on the sides then secured to the top landing along the sill.

Space Requirements:

Refer to application specific drawings starting on page 13.

Platform-to-Top Landing Sill Clearance:

ASME code indicates the platform floor-to-sill clearance at the upper landing shall not be less than 3/8" (9.5 mm) nor exceed 3/4" (19 mm). Follow applicable local codes.

Fascia Wall Requirements:

ASME code indicates that fascia should be smooth and/or non-perforated that guards the full length and width of the platform. The fascia wall is supplied with the enclosure.

Application Specific Drawings

Low Rise Models (VPL-3353B and VPL-3375B) Straight through, no pit

Technical Data/Specifications

Rated load

- 750 lbs max

Input power source

- DC battery powered unit: 110-120 volt - 3 Amp 60 Hz battery charger

Drive

- DC battery powered unit: 1/2 hp motor, 1750 rpm, 24 VDC, continuous duty
Intermediate reduction: Dual 4L style Poly-V belts and pulleys, 3.94:1 pulley reduction
Final drive: 1" dia. ACME screw w/bronze nut and bronze safety back up nut

Motor controller

- DC battery powered unit: 24 VDC relay control

Speed

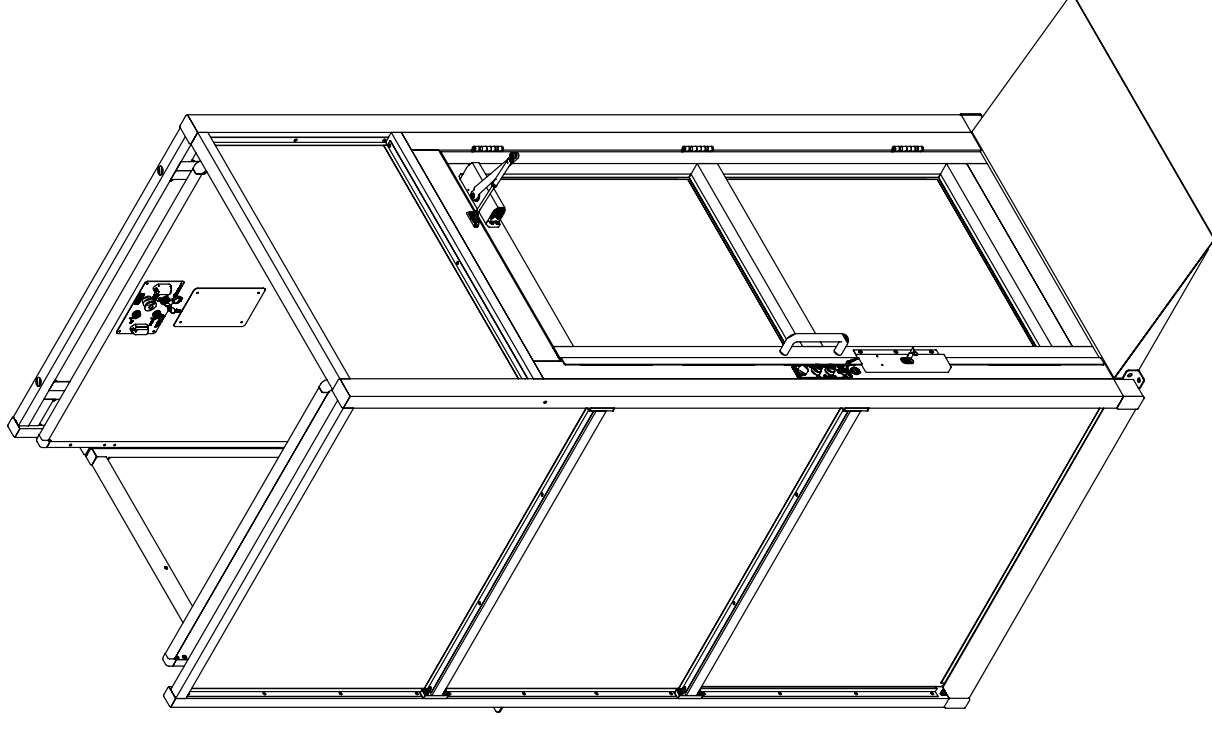
- DC battery powered unit: 10 ft per minute maximum

For complete technical specifications, please see ILS-01100 "VPL-3300B Series Commercial Vertical Platform Lift Technical Specification."

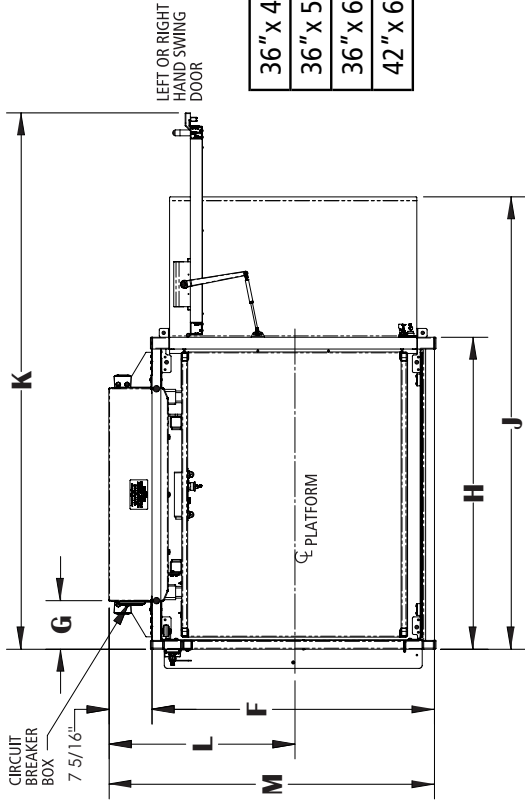
Performance Standards

USA Food & Drug Administration: Class II, 510(K) Exempt, File No. 890.3930 Product Code: PCE

ASME A18.1 (Section 2) Safety Standards for Platform Lifts and Stairway Chairlifts
CSA B355 Lifts for Persons with Physical Disabilities
CSA B44. 1/ASME A17.5 Elevator and Escalator Equipment

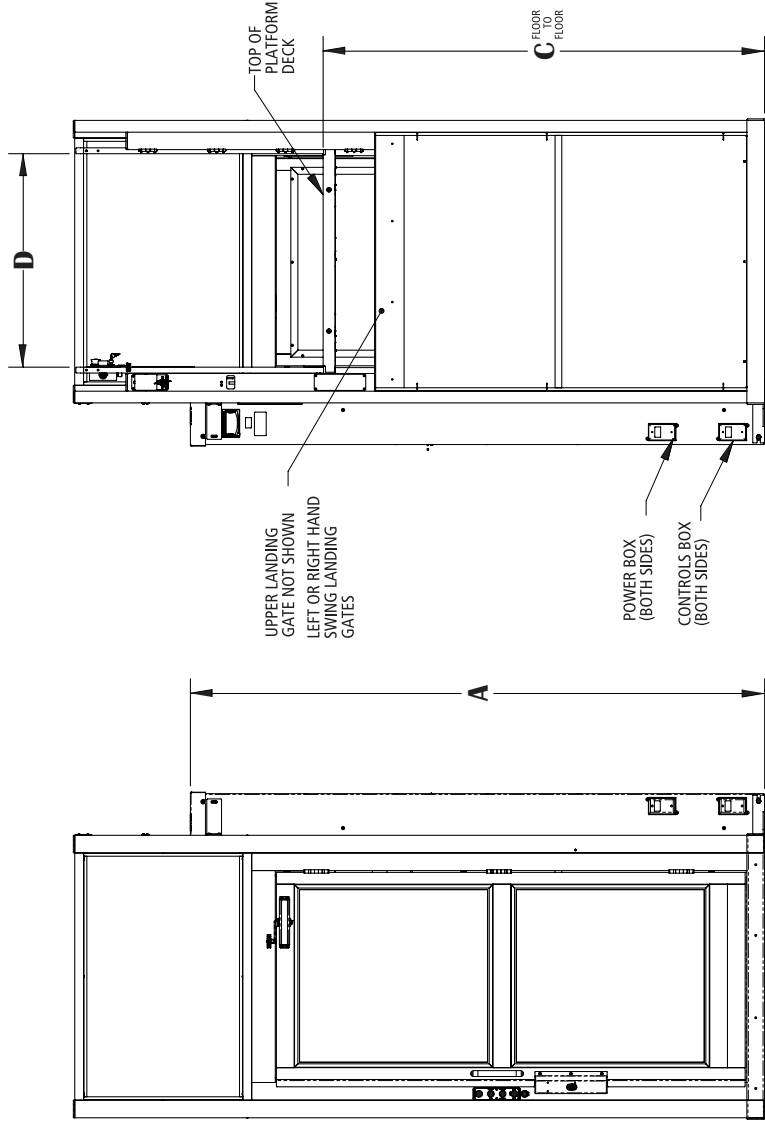
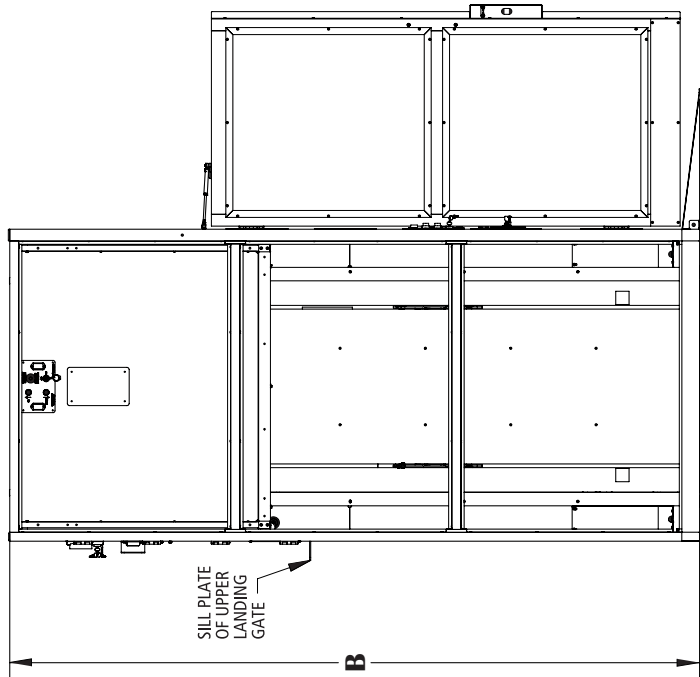


Low Rise Models (VPL-3353B and VPL-3375B) Straight through, no pit



	A	B	C MIN	C MAX
VPL-3353B	75-9/16"	95"	11"	53"
VPL-3375B	97-9/16"	117"	53"	75"

	D	F	G	H	J	K	L	M
36" x 48" Platform	36-1/4"	48"	8-1/4"	53	76-13/16"	91-1/8"	31-9/16"	55-1/4"
36" x 54" Platform	36-1/4"	48"	11-1/4"	59	82-13/16"	97-1/8"	31-9/16"	55-1/4"
36" x 60" Platform	36-1/4"	48"	14-1/4"	65	88-13/16"	103-1/8"	31-9/16"	55-1/4"
42" x 60" Platform	42-1/4"	54"	14-1/4"	65	88-13/16"	112-1/8"	34-9/16"	61-1/4"



Anchor point locations/slab detail (VPL-3353B and VPL-3375B) Straight through, no pit

Technical Data/Specifications

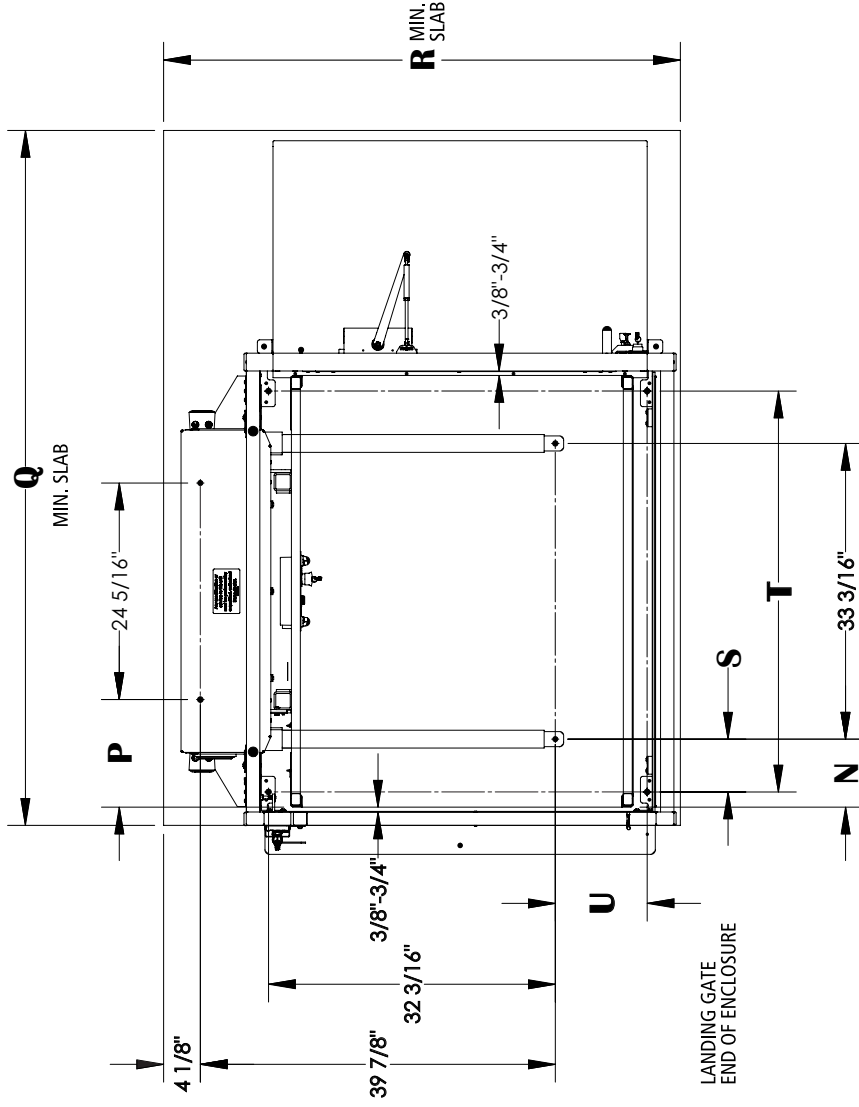
Floor Attachment

VPL must be fastened to concrete slab using four (4) 1/2" (3/8" bolt) x minimum 2-1/2" long concrete anchors suitable for the environment. Follow selected concrete anchor manufactures guidelines and applicable codes.

Floor Requirements

4" thick 3500 PSI minimum compressive strength, reinforced concrete slab

	N	P	Q	R	S	T	U
36" x 48" Platform	7-5/8"	12-1/16"	76"	58-9/16"	5-15/16"	45"	10-15/16"
36" x 54" Platform	10-5/8"	15-1/16"	82"	58-9/16"	8-15/16"	51"	10-15/16"
36" x 60" Platform	13-5/8"	18-1/16"	88"	58-9/16"	11-15/16"	57"	10-15/16"
42" x 60" Platform	13-5/8"	18-1/16"	88"	64-9/16"	11-15/16"	56"	16-15/16"



Application Specific Drawings

Low Rise Models (VPL-3353B and VPL-3375B) Straight through, with pit

Technical Data/Specifications

Rated load

- 750 lbs max

Input power source

- DC battery powered unit: 110-120 volt - 3 Amp 60 Hz battery charger

Drive

- DC battery powered unit: 1/2 hp motor, 1750 rpm, 24 VDC, continuous duty

Intermediate reduction: Dual 4L style Poly-V belts and pulleys, 3.94:1 pulley reduction

Final drive: 1" dia. ACME screw w/bronze nut and bronze safety back up nut

Motor controller

- DC battery powered unit: 24 VDC relay control

Speed

- DC battery powered unit: 10 ft per minute maximum

For complete technical specifications, please see ILS-01100 "VPL-3300B Series Commercial Vertical Platform Lift Technical Specification."

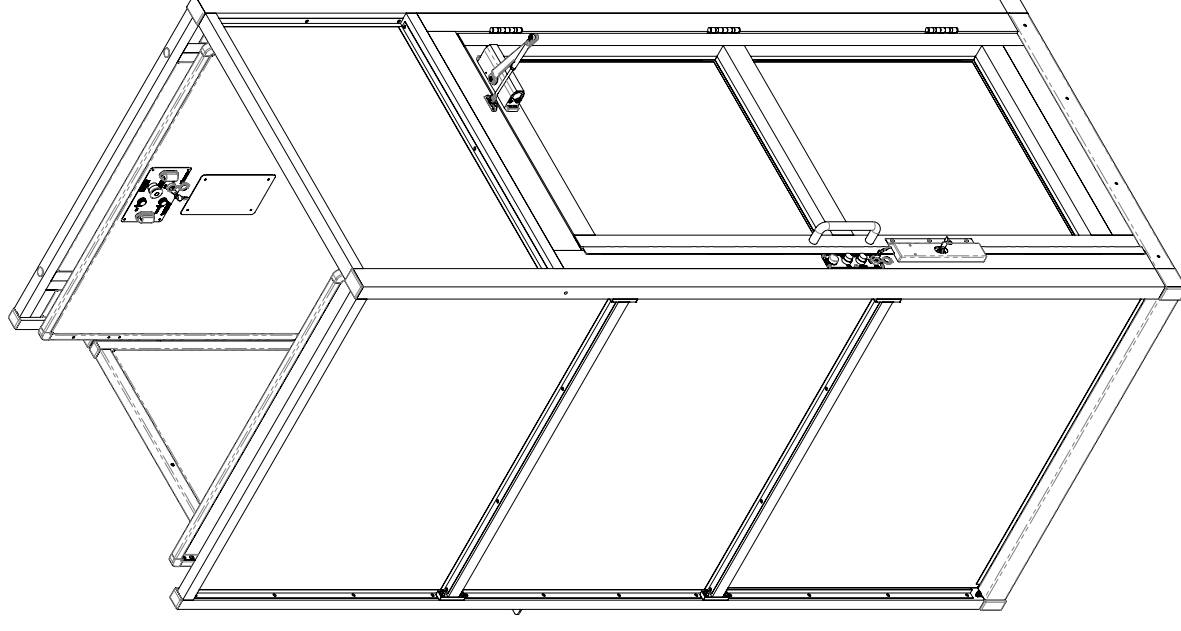
Performance Standards

USA Food & Drug Administration: Class II, 510(K) Exempt, File No. 890.3930 Product Code: PCE

ASME A18. (Section 2) Safety Standards for Platform Lifts and Stairway Chairlifts

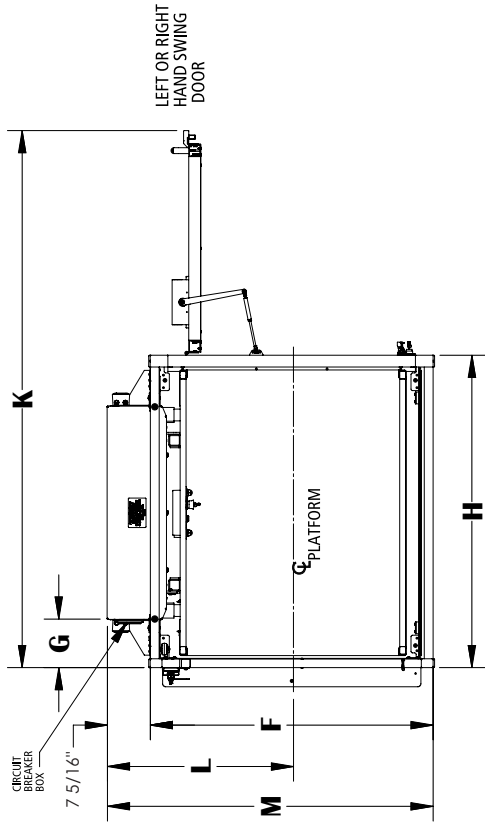
CSA B355 Lifts for Persons with Physical Disabilities

CSA B44. 1/ASME A17.5 Elevator and Escalator Equipment



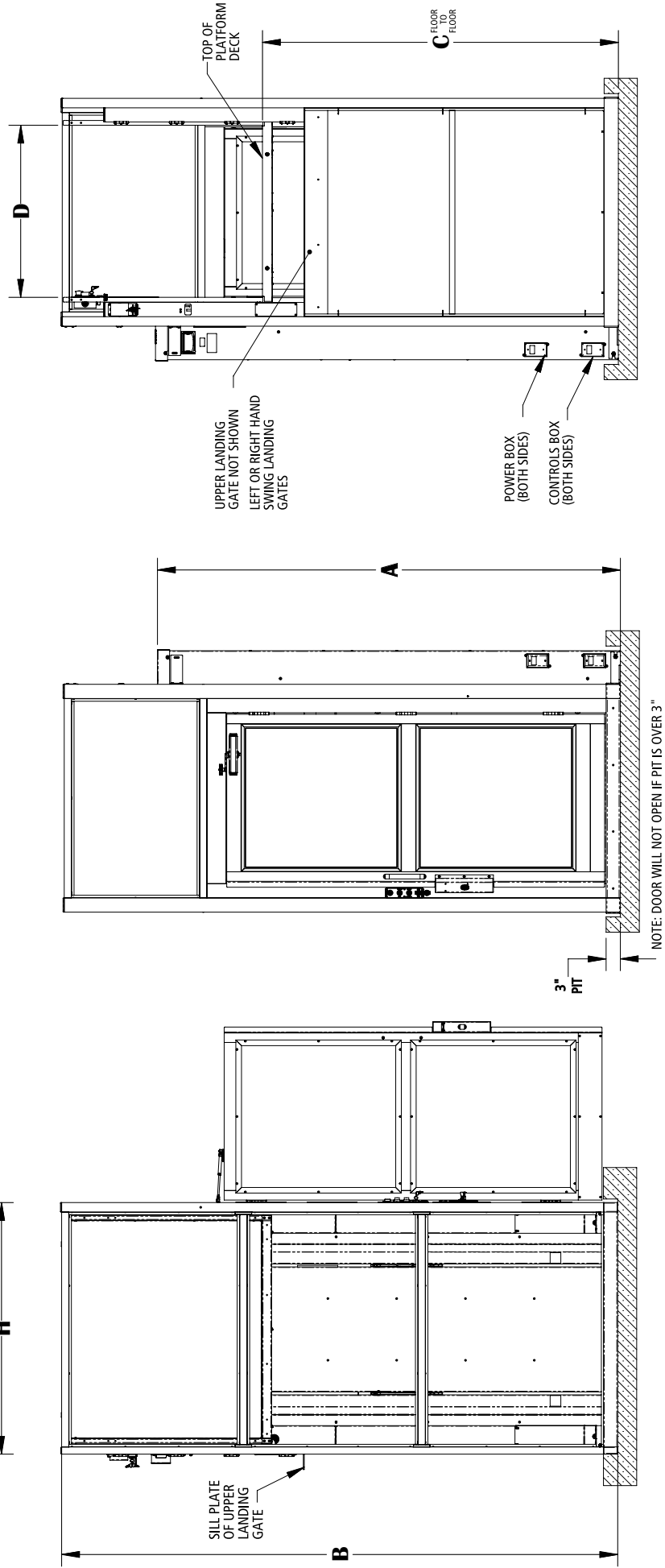
Low Rise Models (VPL-3353B and VPL-3375B) Straight through, with pit

bruno.com/cvpl | 1-800-848-3056
ILS-01216 - Rev. 4 • Sheet 2 of 3



	A	B	C MIN	C MAX
VPL-3353B	75-9/16"	95"	11"	53"
VPL-3375B	97-9/16"	117"	53"	75"

	D	F	G	H	K	L	M
36" x 48" Platform	36-1/4"	48"	8-1/4"	53"	91-1/8"	31-9/16"	55-1/4"
36" x 54" Platform	36-1/4"	48"	11-1/4"	59"	97-1/8"	31-9/16"	55-1/4"
36" x 60" Platform	36-1/4"	48"	14-1/4"	65"	103-1/8"	31-9/16"	55-1/4"
42" x 60" Platform	42-1/4"	54"	14-1/4"	65"	112-1/8"	34-9/16"	61-1/4"



NOTE: DOOR WILL NOT OPEN IF PIT IS OVER 3"

Anchor point locations/pit detail (VPL-3353B and VPL-3375B) Straight through, with pit

Technical Data/Specifications

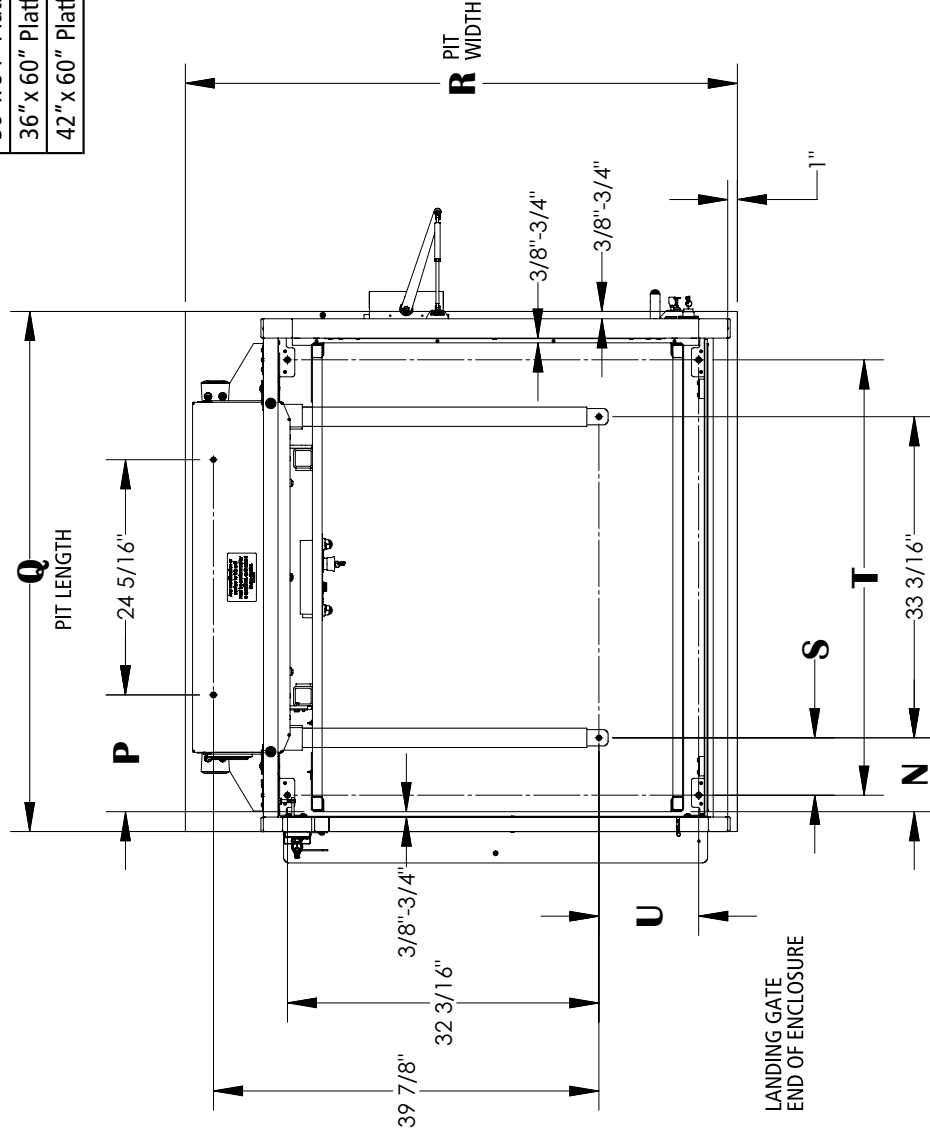
Floor Attachment

VPL must be fastened to concrete slab using four (4) 1/2" (3/8" bolt) x minimum 2-1/2" long concrete anchors suitable for the environment. Follow selected concrete anchor manufactures guidelines and applicable codes.

Floor Requirements

4" thick 3500 PSI minimum compressive strength, reinforced concrete slab

	N	P	Q	R	S	T	U
36" x 48" Platform	7-5/8"	12-1/16"	53-3/8"	57"	5-15/16"	45"	10-15/16"
36" x 54" Platform	10-5/8"	15-1/16"	59-3/8"	57"	8-15/16"	51"	10-15/16"
36" x 60" Platform	13-5/8"	18-1/16"	65-3/8"	57"	11-15/16"	57"	10-15/16"
42" x 60" Platform	13-5/8"	18-1/16"	65-3/8"	63"	11-15/16"	56"	16-15/16"



Low Rise Models (VPL-3353B and VPL-3375B) Enclosure 90/Adjacent Platform, no pit

bruno.com/cvp | 1-800-848-3056
ILS-01241 - Rev. 4 • Sheet 1 of 3

Technical Data/Specifications

Rated load

- 750 lbs max

Input power source

- DC battery powered unit: 110-120 volt - 3 Amp 60 Hz battery charger

Drive

- DC battery powered unit: 1/2 hp motor, 1750 rpm, 24 VDC, continuous duty
Intermediate reduction: Dual 4L style Poly-V belts and pulleys, 3.94:1 pulley reduction
Final drive: 1" dia. ACME screw w/bronze nut and bronze safety back up nut

Motor controller

- DC battery powered unit: 24 VDC relay control

Speed

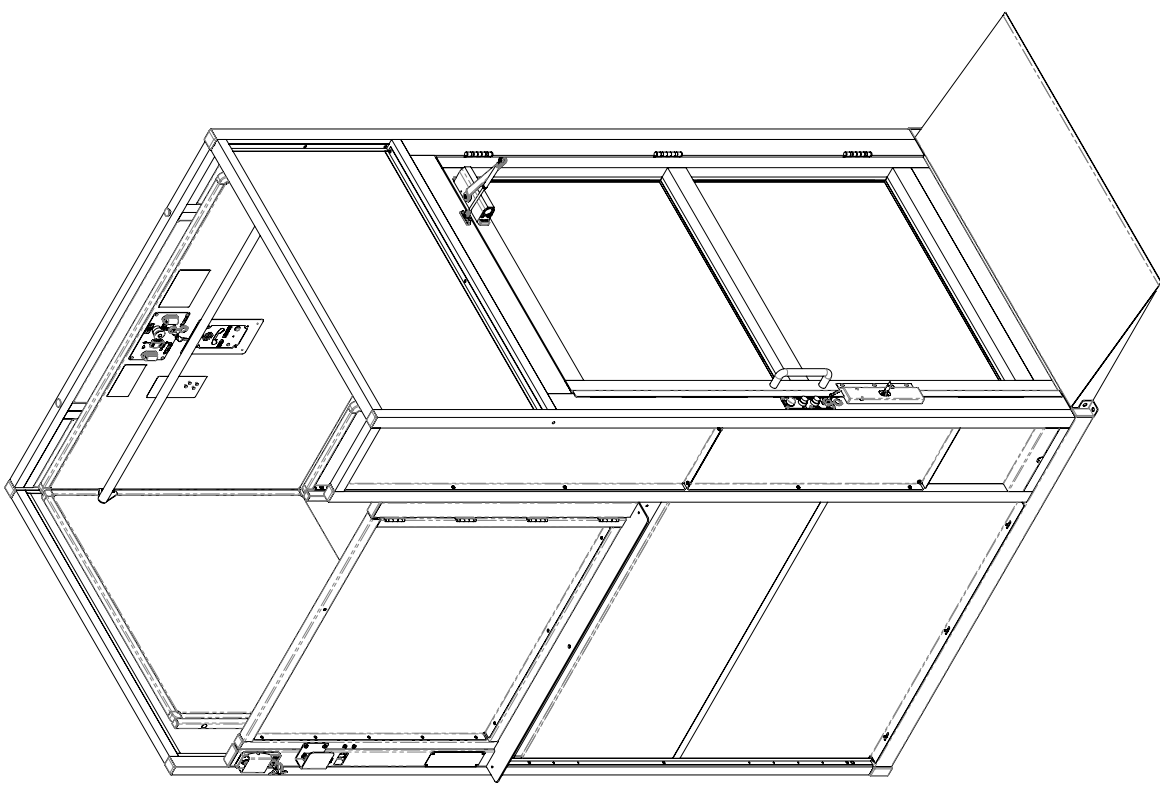
- DC battery powered unit: 10 ft per minute maximum

For complete technical specifications, please see ILS-01100 "VPL-3300B Series Commercial Vertical Platform Lift Technical Specification."

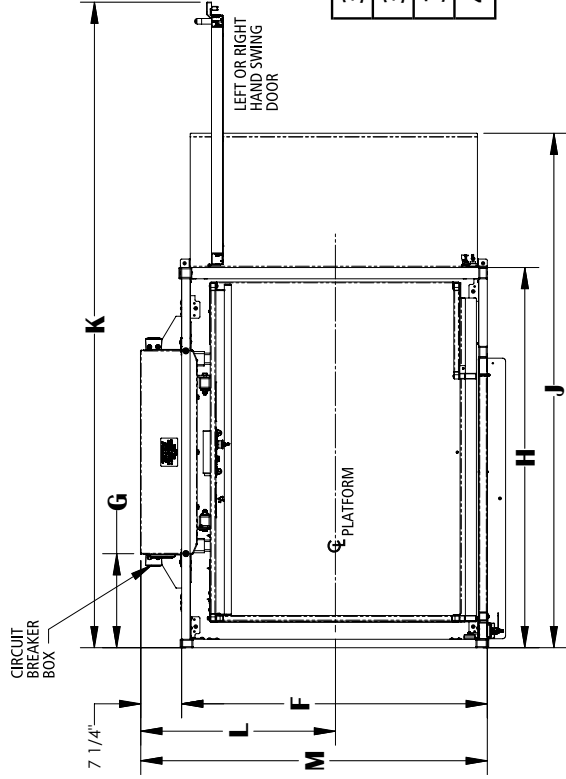
Performance Standards

USA Food & Drug Administration: Class II, 510(K) Exempt, File No. 890.3930 Product Code: PCE

ASME A18. (Section 2) Safety Standards for Platform Lifts and Stairway Chairlifts
CSA B355 Lifts for Persons with Physical Disabilities
CSA B44. 1/ASME A17.5 Elevator and Escalator Equipment

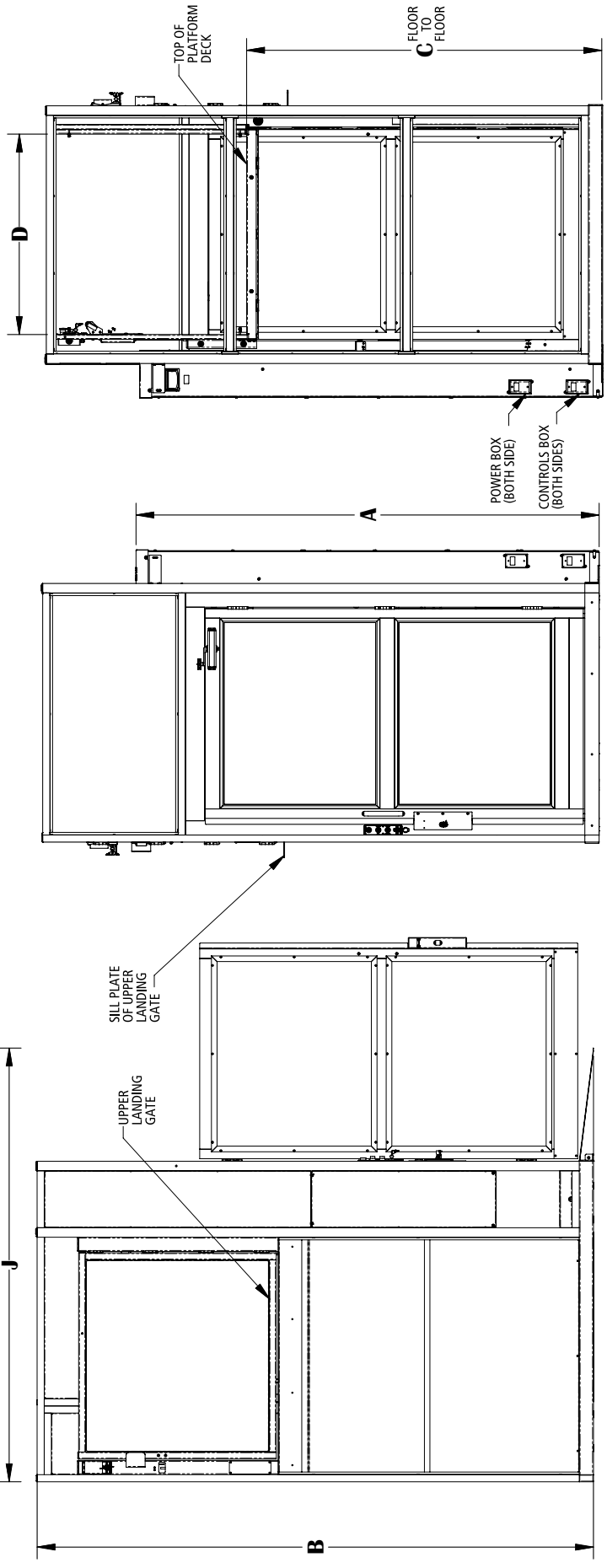


Low Rise Models (VPL-3353B and VPL-3375B) Enclosure 90/Adjacent Platform, no pit



	A	B	C MIN	C MAX
VPL-3353B	75-9/16"	95"	11"	53"
VPL-3375B	97-9/16"	117"	53"	75"

	D	F	G	H	J	K	L	M
36" x 48" Platform	36-1/4"	48-1/4"	10-11/16"	55-1/2"	79-3/8"	93-5/8"	31-9/16"	55-1/2"
36" x 54" Platform	36-1/4"	48-1/4"	13-11/16"	61-1/2"	85-3/8"	99-5/8"	31-9/16"	55-1/2"
36" x 60" Platform	36-1/4"	48-1/4"	16-11/16"	67-1/2"	91-3/8"	105-5/8"	31-9/16"	55-1/2"
42" x 60" Platform	42-1/4"	54-1/4"	16-11/16"	67-1/2"	91-3/8"	114-5/8"	34-9/16"	61-1/2"



Anchor point locations/slab detail (VPL-3353B and VPL-3375B) Enclosure 90/Adjacent platform, no pit

Technical Data/Specifications

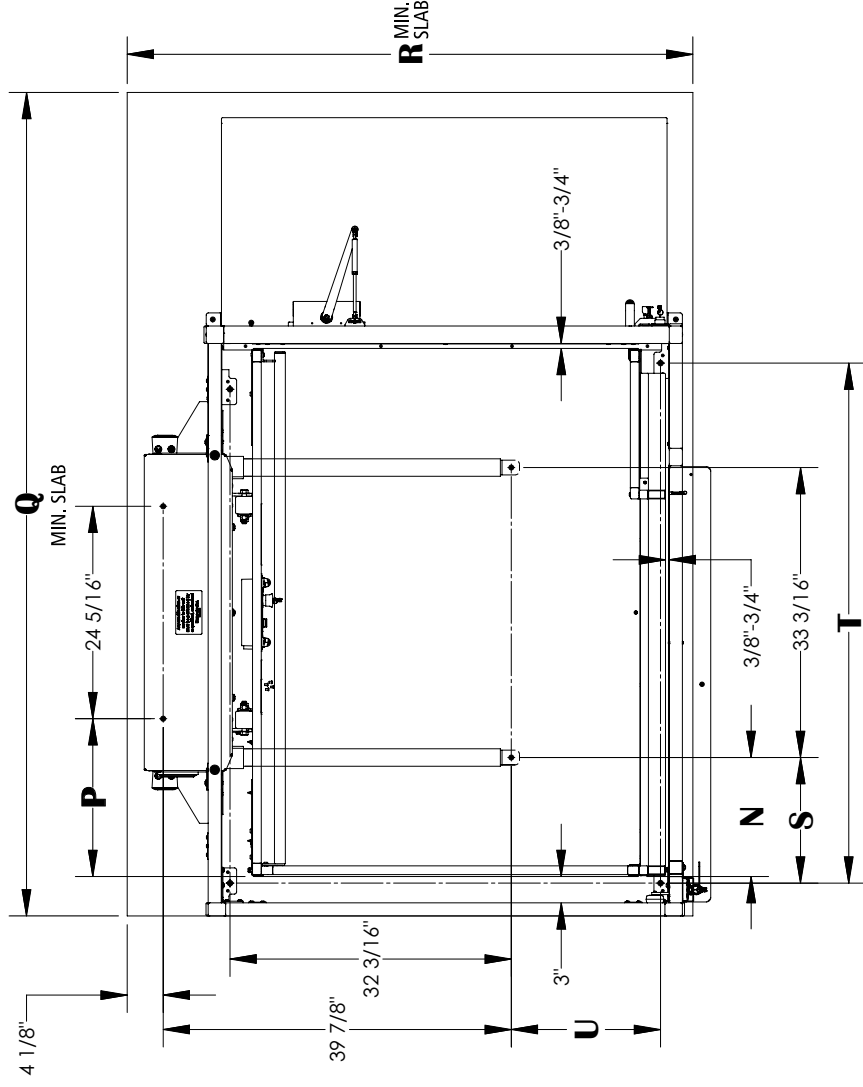
Floor Attachment

VPL must be fastened to concrete slab using four (4) 1/2" (3/8" bolt) x minimum 2-1/2" long concrete anchors suitable for the environment. Follow selected concrete anchor manufactures guidelines and applicable codes.

Floor Requirements

4" thick 3500 PSI minimum compressive strength, reinforced concrete slab

	N	P	Q	R	S	T	U
36" x 48" Platform	7-5/8"	12-1/16"	80"	58-3/4"	8-3/8"	47-1/2"	11-1/16"
36" x 54" Platform	10-5/8"	15-1/16"	86"	58-3/4"	11-3/8"	53-1/2"	11-1/16"
36" x 60" Platform	13-5/8"	18-1/16"	92"	58-3/4"	14-3/8"	59-1/2"	11-1/16"
42" x 60" Platform	13-5/8"	18-1/16"	92"	64-3/4"	14-3/8"	59-1/2"	17-1/16"



Low Rise Models (VPL-3353B and VPL-3375B) Enclosure 90°/Adjacent Platform, with pit

bruno.com/cvpl | 1-800-848-3056
ILS-01242 - Rev. 4 • Sheet 1 of 3

Technical Data/Specifications

Rated load

- 750 lbs max

Input power source

- DC battery powered unit: 110-120 volt - 3 Amp 60 Hz battery charger

Drive

- DC battery powered unit: 1/2 hp motor, 1750 rpm, 24 VDC, continuous duty
Intermediate reduction: Dual 4L style Poly-V belts and pulleys, 3.94:1 pulley reduction
Final drive: 1" dia. ACME screw w/bronze nut and bronze safety back up nut

Motor controller

- DC battery powered unit: 24 VDC relay control

Speed

- DC battery powered unit: 10 ft per minute maximum

For complete technical specifications, please see ILS-01100 "VPL-3300B Series Commercial Vertical Platform Lift Technical Specification."

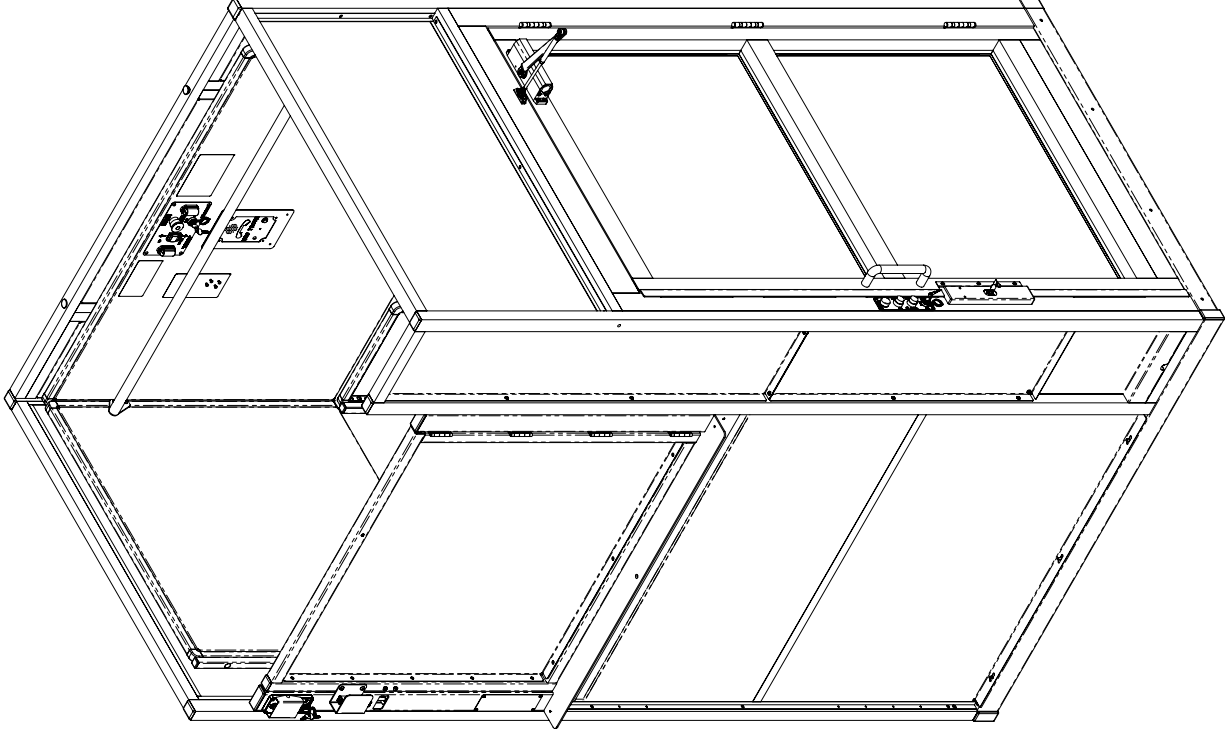
Performance Standards

USA Food & Drug Administration: Class II, 510(K) Exempt, File No. 890.3930 Product Code: PCE

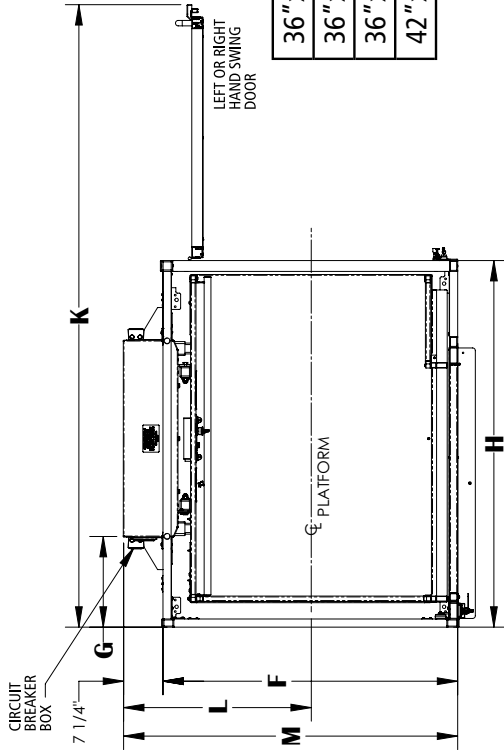
ASME A18. (Section 2) Safety Standards for Platform Lifts and Stairway Chairlifts

CSA B355 Lifts for Persons with Physical Disabilities

CSA B44. 1/ASME A17.5 Elevator and Escalator Equipment

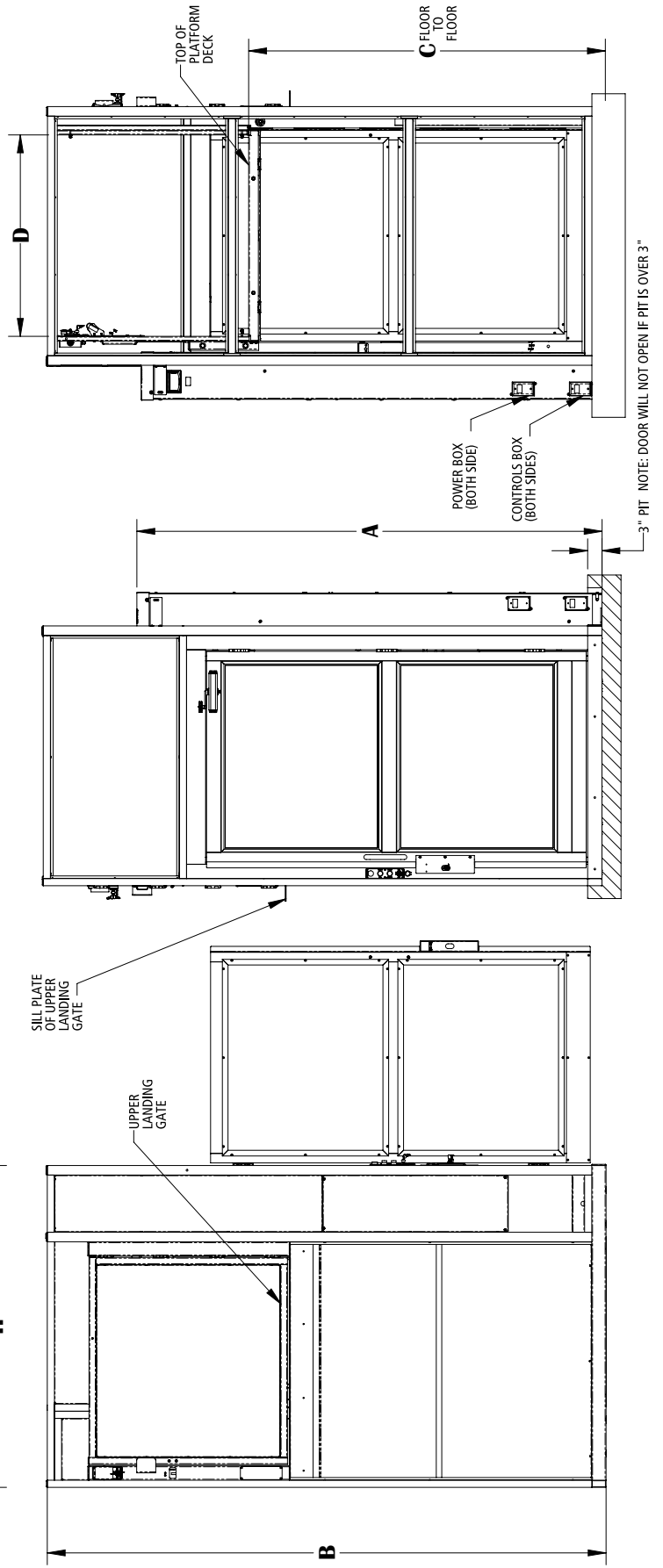


Low Rise Models (VPL-3353B and VPL-3375B) Enclosure 90°/Adjacent Platform, with pit



	A	B	C MIN	C MAX
VPL-3353B	75-9/16"	95"	11"	53"
VPL-3375B	97-9/16"	117"	53"	75"

	D	F	G	H	J	K	L	M
36" x 48" Platform	36-1/4"	48-1/4"	10-11/16"	55-1/2"	79-3/8"	93-5/8"	31-9/16"	55-1/2"
36" x 54" Platform	36-1/4"	48-1/4"	13-11/16"	61-1/2"	85-3/8"	99-5/8"	31-9/16"	55-1/2"
36" x 60" Platform	36-1/4"	48-1/4"	16-11/16"	67-1/2"	91-3/8"	105-5/8"	31-9/16"	55-1/2"
42" x 60" Platform	42-1/4"	54-1/4"	16-11/16"	67-1/2"	91-3/8"	114-5/8"	34-9/16"	61-1/2"



Anchor point locations/pit detail (VPL-3353B and VPL-3375B) Enclosure 90/Adjacent platform, with pit

Technical Data/Specifications

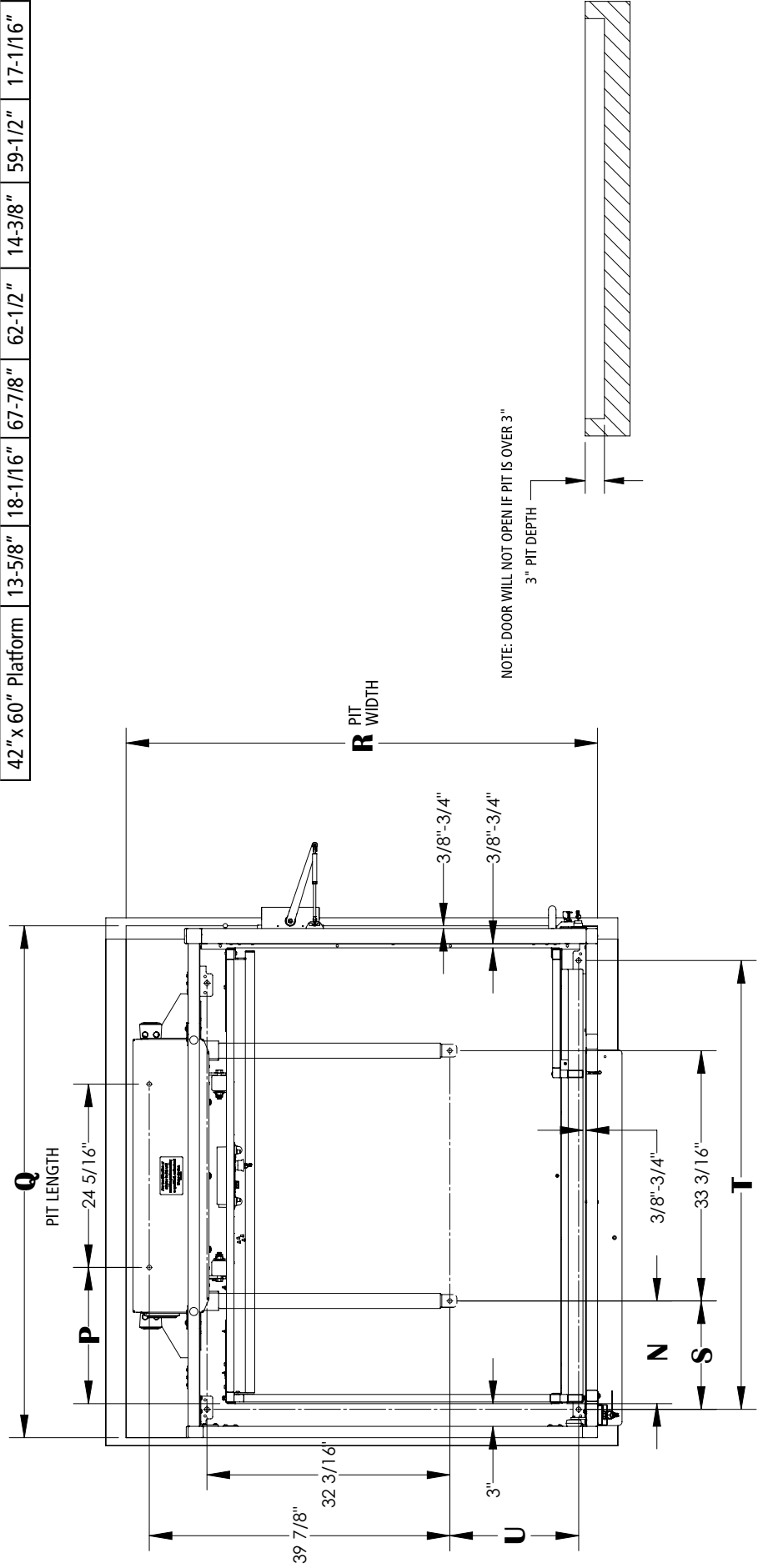
Floor Attachment

VPL must be fastened to concrete slab using four (4) 1/2" (3/8" bolt) x minimum 2-1/2" long concrete anchors suitable for the environment. Follow selected concrete anchor manufactures guidelines and applicable codes.

Floor Requirements

4" thick 3500 PSI minimum compressive strength, reinforced concrete slab

	N	P	Q	R	S	T	U
36" x 48" Platform	7-5/8"	12-1/16"	55-7/8"	56-1/2"	8-3/8"	47-1/2"	11-1/16"
36" x 54" Platform	10-5/8"	15-1/16"	61-7/8"	56-1/2"	11-3/8"	53-1/2"	11-1/16"
36" x 60" Platform	13-5/8"	18-1/16"	67-7/8"	56-1/2"	14-3/8"	59-1/2"	11-1/16"
42" x 60" Platform	13-5/8"	18-1/16"	67-7/8"	62-1/2"	14-3/8"	59-1/2"	17-1/16"



Tall Models (VPL-3310B, VPL-3312B and VPL-3314B) Enclosure Same Side Platform, no pit Technical Data/Specifications

Rated load

- 750 lbs max

Input power source

- DC battery powered unit: 110-120 volt - 3 Amp 60 Hz battery charger

Drive

- DC battery powered unit: 1 hp motor, 1750 rpm, 24 VDC, continuous duty
Intermediate reduction: Dual 4L style Poly-V belts and pulleys, 3.94:1 pulley reduction
Final drive: 1 1/4" ACME screw w/bronze nut and bronze safety back up nut

Motor controller

- DC battery powered unit: 24 VDC relay control

Speed

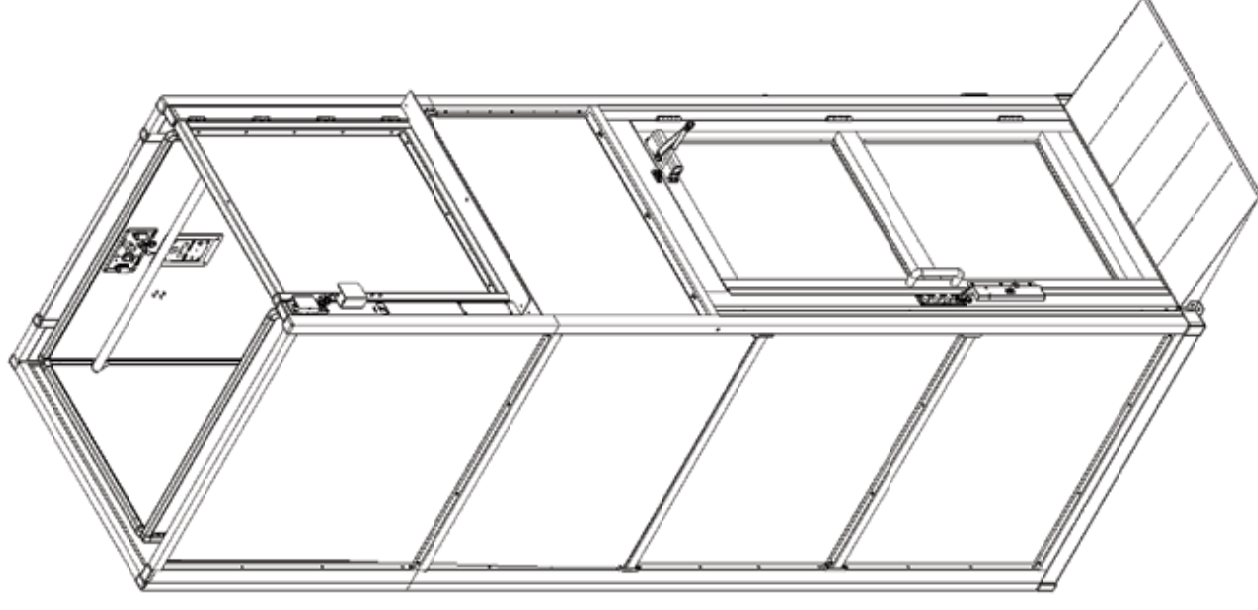
- DC battery powered unit: 10 ft per minute maximum

For complete technical specifications, please see ILS-01100 "VPL-3300B Series Commercial Vertical Platform Lift Technical Specification."

Performance Standards

USA Food & Drug Administration: Class II, 510(K) Exempt, File No. 890.3930 Product Code: PCE

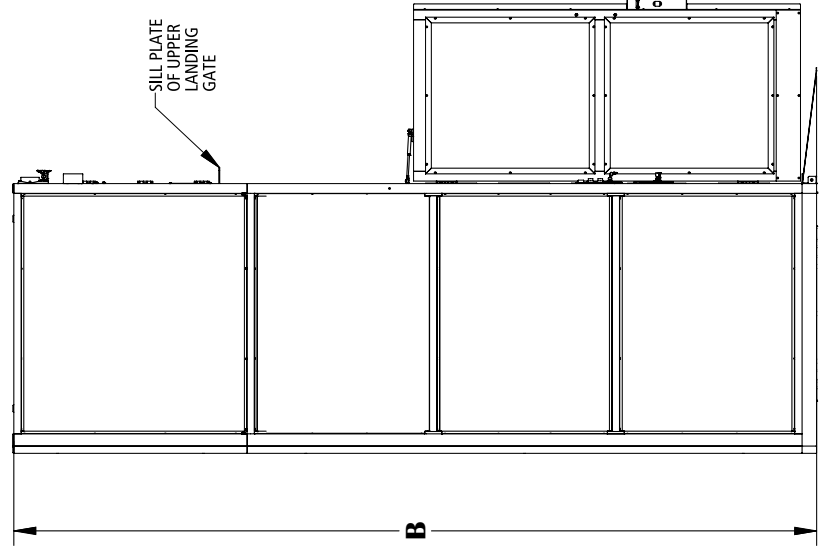
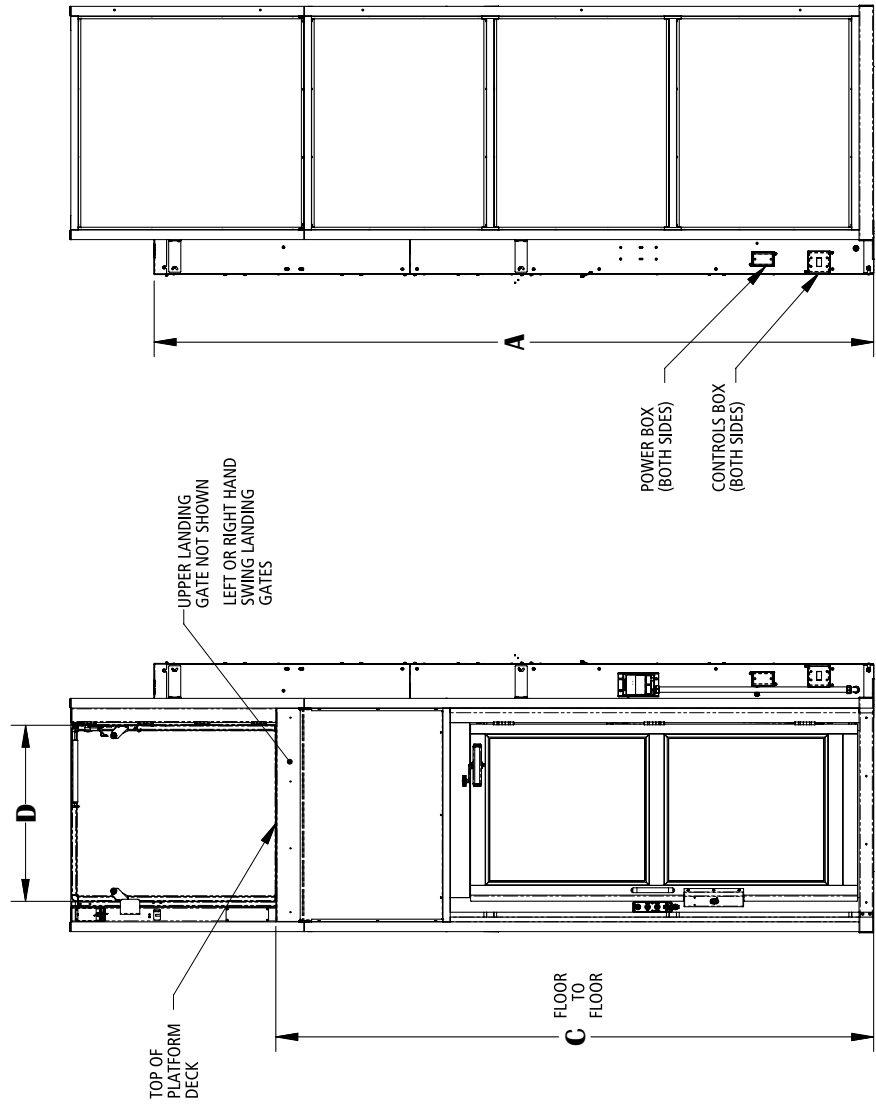
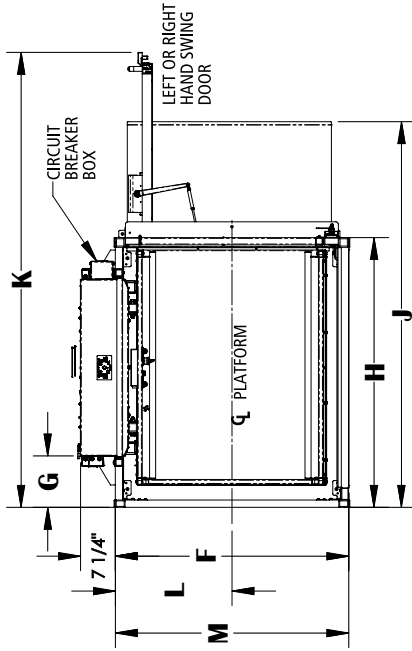
ASME A18. (Section 2) Safety Standards for Platform Lifts and Stairway Chairlifts
CSA B355 Lifts for Persons with Physical Disabilities
CSA B44. 1/ASME A17.5 Elevator and Escalator Equipment



**Tall Models
(VPL-3310B, VPL-3312B and VPL-3314B)
Enclosure Same Side Platform, no pit**

Model	A	B	C MIN	C MAX
VPL-3310B	148-1/16"	165"	86"	123"
VPL-3312B	172-1/16"	189"	86"	147"
VPL-3314B	196-1/16"	213"	86"	171"

	D	F	G	H	J	K	L	M
36" x 48" Platform	36-1/4"	48"	10-11/16"	55-1/2"	79-3/8"	93-5/8"	31-9/16"	55-1/4"
36" x 54" Platform	36-1/4"	48"	13-11/16"	61-1/2"	85-3/8"	99-5/8"	31-9/16"	55-1/4"
36" x 60" Platform	36-1/4"	48"	16-11/16"	67-1/2"	91-3/8"	105-5/8"	31-9/16"	55-1/4"
42" x 60" Platform	42-1/4"	54"	16-11/16"	67-1/2"	91-3/8"	114-5/8"	34-9/16"	61-1/4"



Anchor point locations/slab detail (VPL-3310B, VPL-3312B and VPL-3314B) Enclosure Same Side Platform, no pit

Technical Data/Specifications

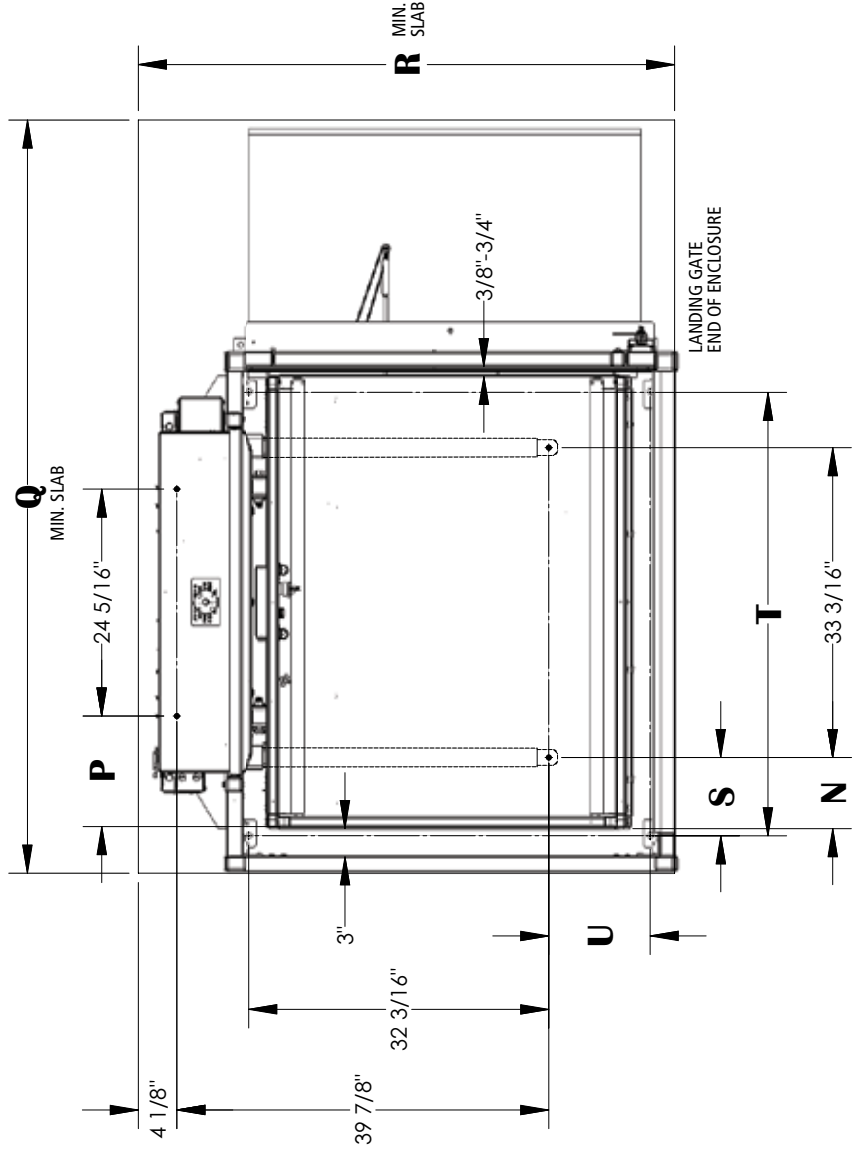
Floor Attachment

VPL must be fastened to concrete slab using four (4) 1/2" (3/8" bolt) x minimum 2-1/2" long concrete anchors suitable for the environment. Follow selected concrete anchor manufacturers guidelines and applicable codes.

	N	P	Q	R	S	T	U
36" x 48" Platform	7-5/8"	12-1/16"	80"	58-9/16"	8-3/8"	47-1/2"	10-15/16"
36" x 54" Platform	10-5/8"	15-1/16"	86"	58-9/16"	11-3/8"	53-1/2"	10-15/16"
36" x 60" Platform	13-5/8"	18-1/16"	92"	58-9/16"	14-3/8"	59-1/2"	10-15/16"
42" x 60" Platform	13-5/8"	18-1/16"	92"	64-9/16"	14-3/8"	59-1/2"	16-15/16"

Floor Requirements

4" thick 3500 PSI minimum compressive strength, reinforced concrete slab



Tall Models (VPL-3310B, VPL-3312B and VPL-3314B) Enclosure Same Side Platform, with pit

Technical Data/Specifications

Rated load

- 750 lbs max

Input power source

- DC battery powered unit: 110-120 volt - 3 Amp 60 Hz battery charger

Drive

- DC battery powered unit: 1 hp motor, 1750 rpm, 24 VDC, continuous duty
Intermediate reduction: Dual 4L style Poly-V belts and pulleys, 3.94:1 pulley reduction
Final drive: 1 1/4" ACME screw w/bronze nut and bronze safety back up nut

Motor controller

- DC battery powered unit: 24 VDC relay control

Speed

- DC battery powered unit: 10 ft per minute maximum

For complete technical specifications, please see ILS-01100 "VPL-3300B Series Commercial Vertical Platform Lift Technical Specification."

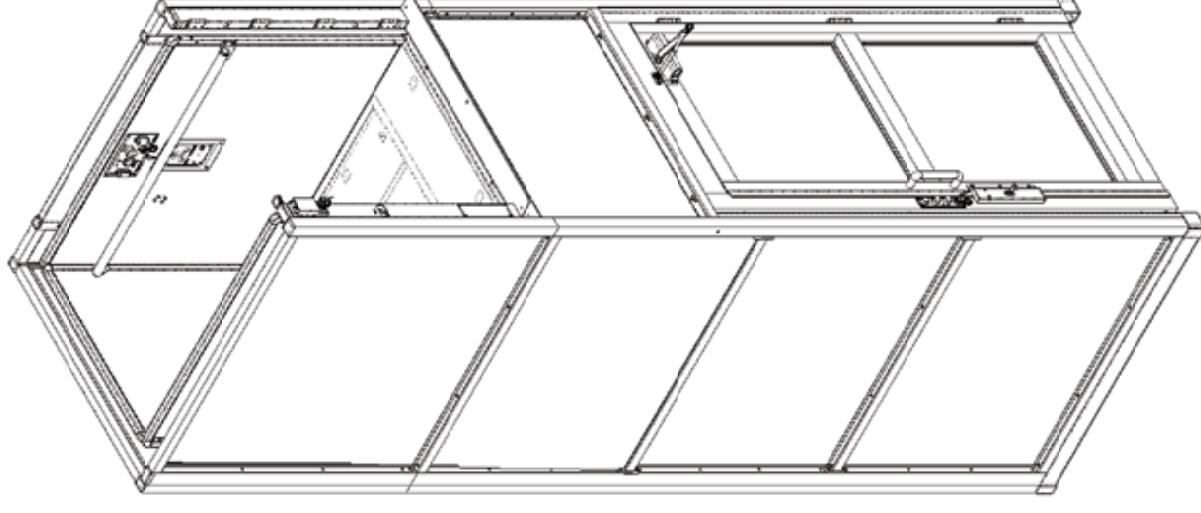
Performance Standards

USA Food & Drug Administration: Class II, 510(K) Exempt, File No. 890.3930 Product Code: PCE

ASME A18. (Section 2) Safety Standards for Platform Lifts and Stairway Chairlifts

CSA B355 Lifts for Persons with Physical Disabilities

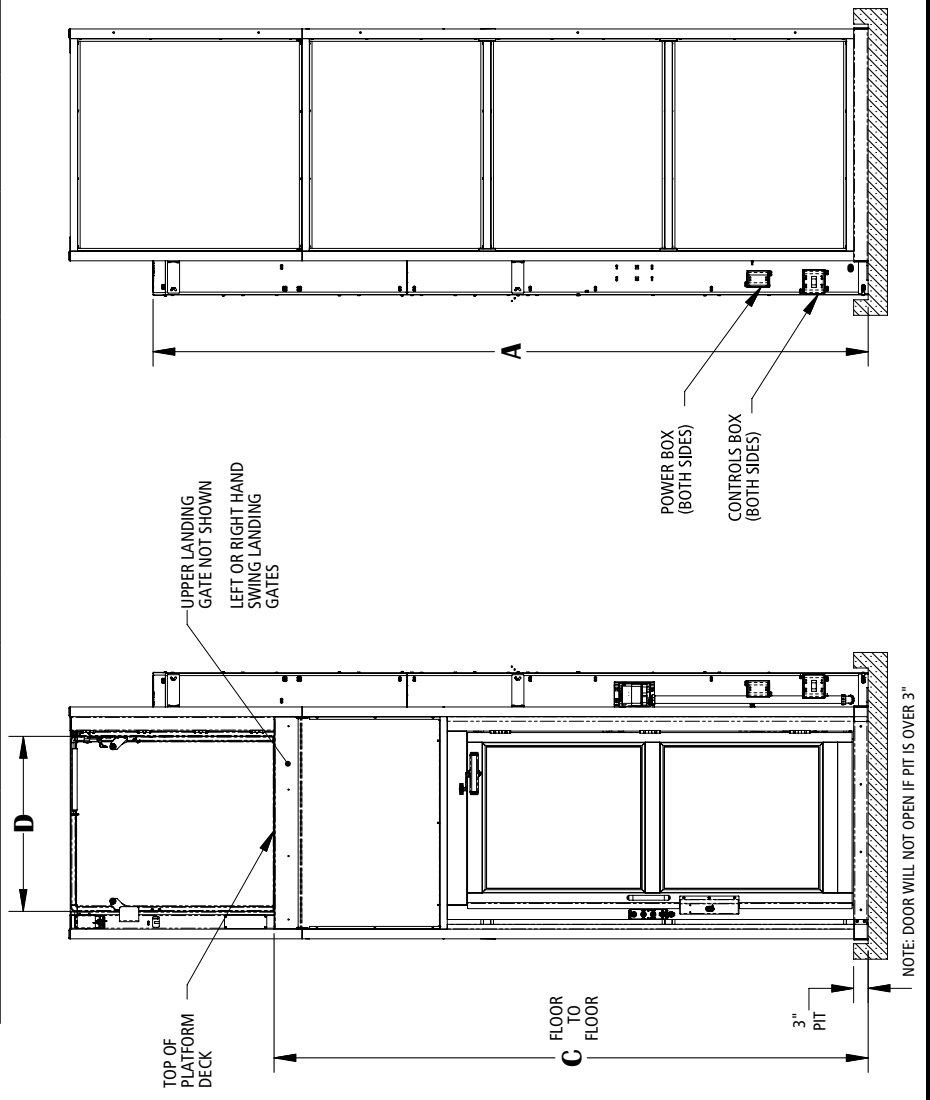
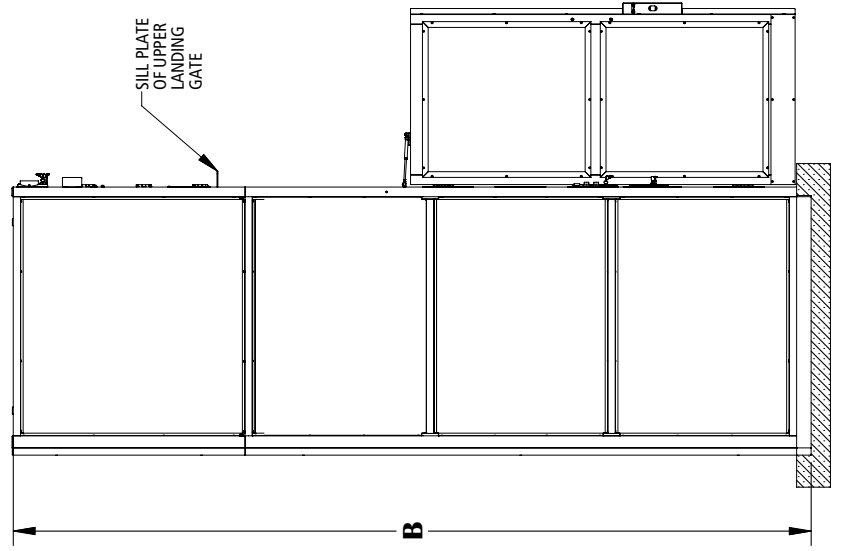
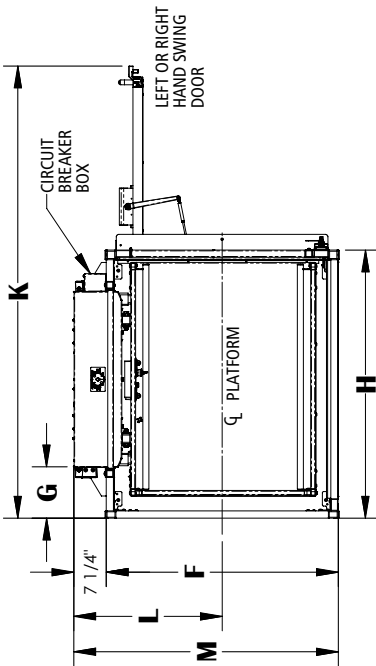
CSA B44. 1/ASME A17.5 Elevator and Escalator Equipment



Tall Models (VPL-3310B, VPL-3312B and VPL-3314B) Enclosure Same Side Platform, with pit

Model	A	B	C MIN	C MAX
VPL-3310B	148-1/16"	165"	86"	123"
VPL-3312B	172-1/16"	189"	86"	147"
VPL-3314B	196-1/16"	213"	86"	171"

	D	F	G	H	K	L	M
36" x 48" Platform	36-1/4"	48"	10-11/16"	55-1/2"	93-5/8"	31-9/16"	55-1/4"
36" x 54" Platform	36-1/4"	48"	13-11/16"	61-1/2"	99-5/8"	31-9/16"	55-1/4"
36" x 60" Platform	36-1/4"	48"	16-11/16"	67-1/2"	105-5/8"	31-9/16"	55-1/4"
42" x 60" Platform	42-1/4"	54"	16-11/16"	67-1/2"	114-5/8"	34-9/16"	61-1/4"



Anchor point locations/pit detail (VPL-3310B, VPL-3312B and VPL-3314B) Enclosure Same Side Platform, with pit

Technical Data/Specifications

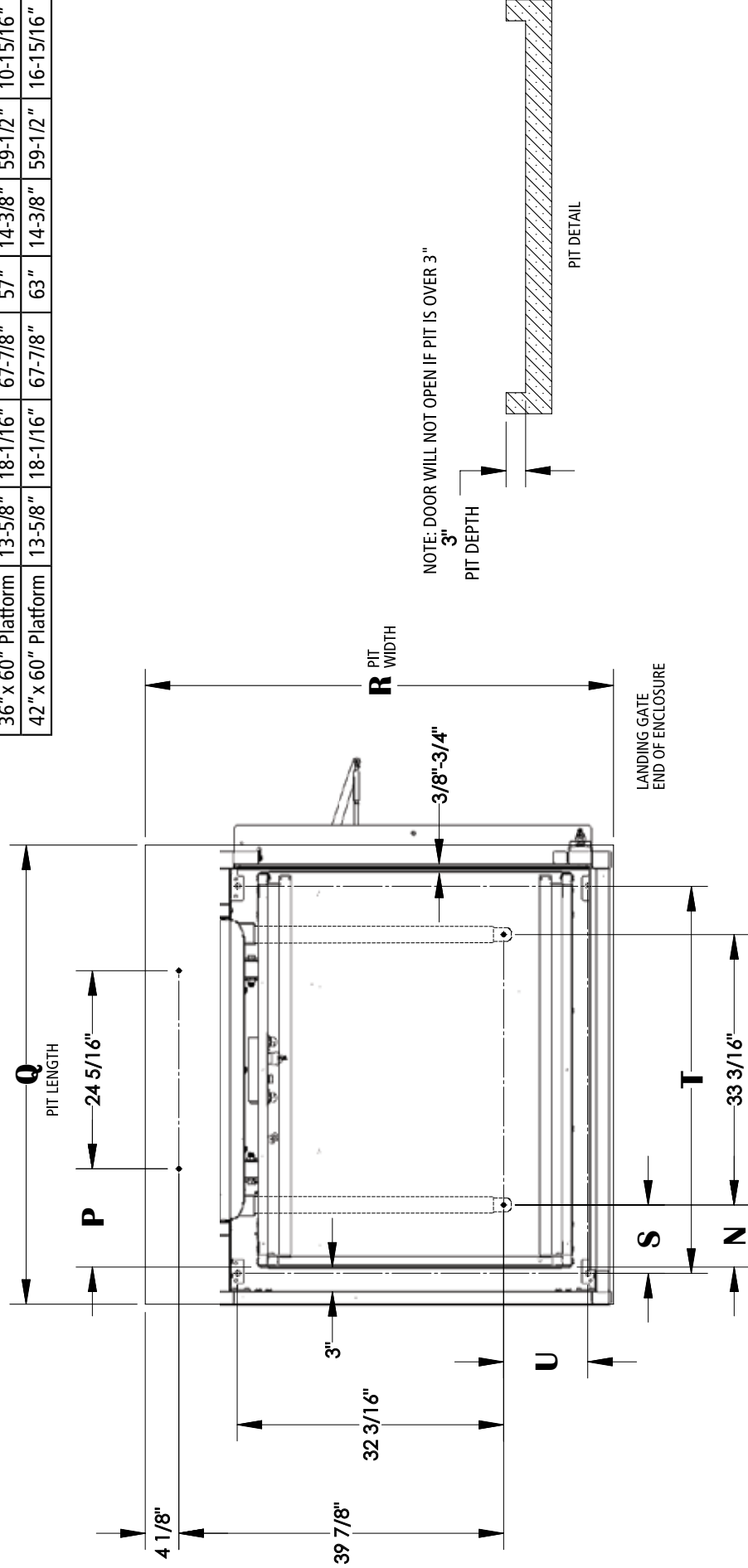
Floor Attachment

VPL must be fastened to concrete slab using four (4) 1/2" (3/8" bolt) x minimum 2-1/2" long concrete anchors suitable for the environment. Follow selected concrete anchor manufactures guidelines and applicable codes.

Floor Requirements

4" thick 3500 PSI minimum compressive strength, reinforced concrete slab

	N	P	Q	R	S	T	U
36" x 48" Platform	7-5/8"	12-1/16"	55-7/8"	57"	8-3/8"	47-1/2"	10-15/16"
36" x 54" Platform	10-5/8"	15-1/16"	61-7/8"	57"	11-3/8"	53-1/2"	10-15/16"
36" x 60" Platform	13-5/8"	18-1/16"	67-7/8"	57"	14-3/8"	59-1/2"	10-15/16"
42" x 60" Platform	13-5/8"	18-1/16"	67-7/8"	63"	14-3/8"	59-1/2"	16-15/16"



**Tall Models
(VPL-3310B, VPL-3312B and VPL-3314B)
Enclosure Straight Through Platform, no pit
Technical Data/Specifications**

Rated load

- 750 lbs max

Input power source

- DC battery powered unit: 110-120 volt - 3 Amp 60 Hz battery charger

Drive

- DC battery powered unit: 1 hp motor, 1750 rpm, 24 VDC, continuous duty

Intermediate reduction: Dual 4L style Poly-V belts and pulleys, 3.94:1 pulley reduction

Final drive: 1 1/4" ACME screw w/bronze nut and bronze safety back up nut

Motor controller

- DC battery powered unit: 24 VDC relay control

Speed

- DC battery powered unit: 10 ft per minute maximum

For complete technical specifications, please see ILS-01100 "VPL-3300B Series Commercial Vertical Platform Lift Technical Specification."

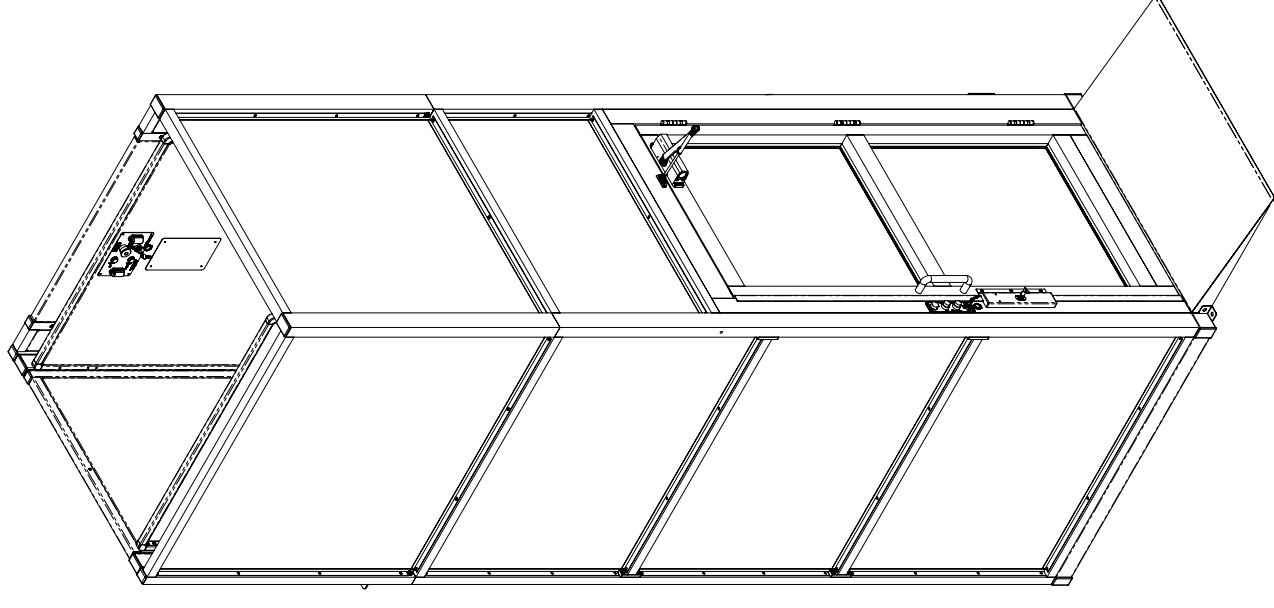
Performance Standards

USA Food & Drug Administration: Class II, 510(K) Exempt, File No. 890.3930 Product Code: PCE

ASME A18. (Section 2) Safety Standards for Platform Lifts and Stairway Chairlifts

CSA B355 Lifts for Persons with Physical Disabilities

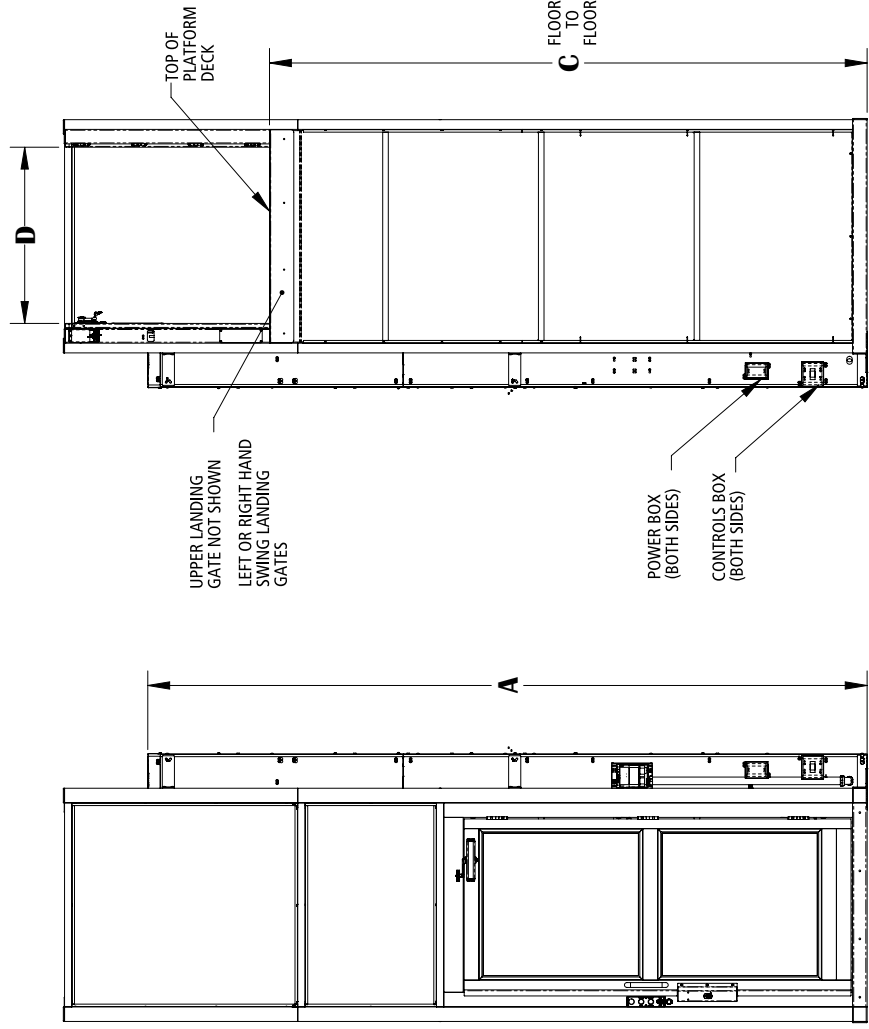
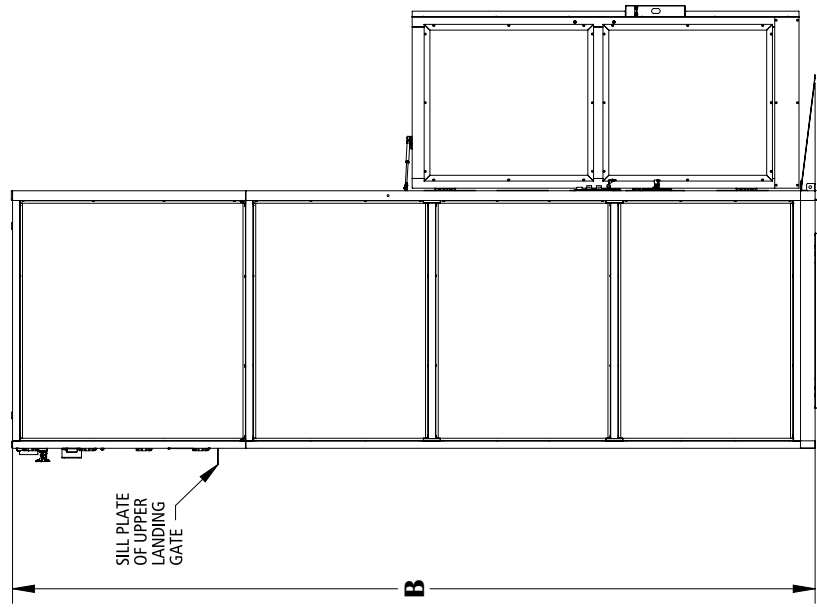
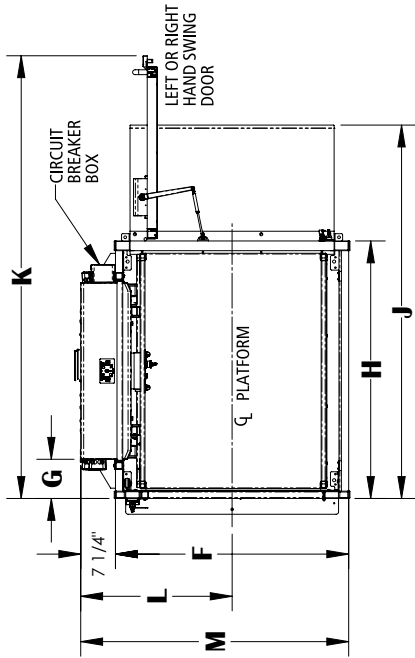
CSA B44. 1/ASME A17.5 Elevator and Escalator Equipment



Tall Models (VPL-3310B, VPL-3312B and VPL-3314B) Enclosure Straight Through Platform, no pit

Model	A	B	C MIN	C MAX
VPL-3310B	148-1/16"	165"	75"	123"
VPL-3312B	172-1/16"	189"	75"	147"
VPL-3314B	196-1/16"	213"	75"	171"

	D	F	G	H	J	K	L	M
36" x 48" Platform	36-1/4"	48"	8-1/4"	53"	76-13/16"	91-1/8"	31-9/16"	55-1/4"
36" x 54" Platform	36-1/4"	48"	11-1/4"	59"	82-13/16"	97-1/8"	31-9/16"	55-1/4"
36" x 60" Platform	36-1/4"	48"	14-1/4"	65"	88-13/16"	103-1/8"	31-9/16"	55-1/4"
42" x 60" Platform	42-1/4"	54"	14-1/4"	65"	88-13/16"	112-1/8"	34-9/16"	61-1/4"



Anchor point locations/slab detail (VPL-3310B, VPL-3312B and VPL-3314B) Enclosure Same Side Platform, no pit

Technical Data/Specifications

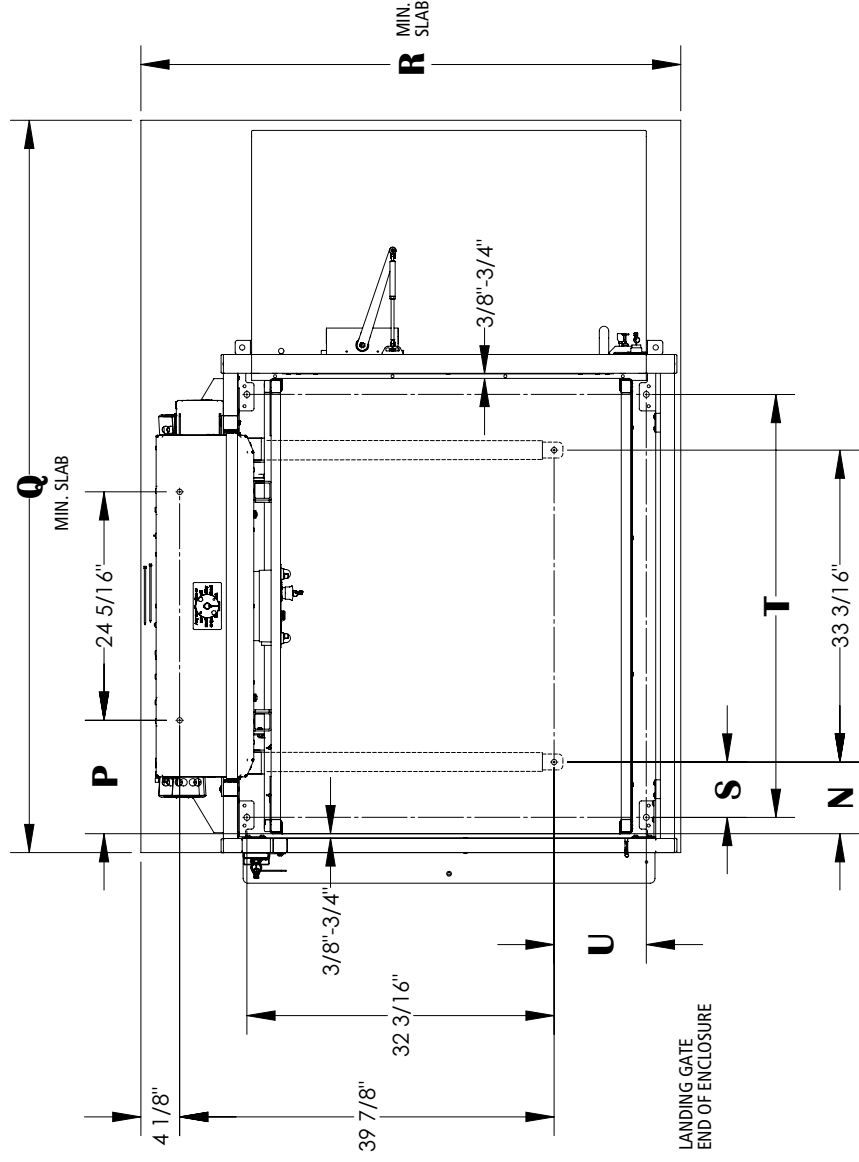
Floor Attachment

VPL must be fastened to concrete slab using four (4) 1/2" (3/8" bolt) x minimum 2-1/2" long concrete anchors suitable for the environment. Follow selected concrete anchor manufactures guidelines and applicable codes.

Floor Requirements

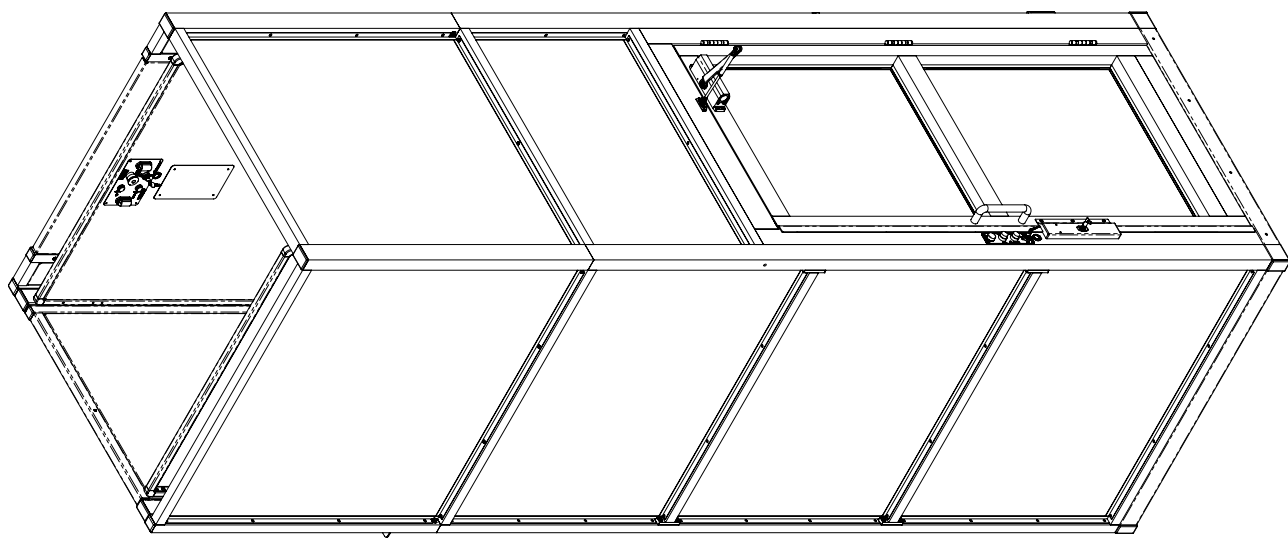
4" thick 3500 PSI minimum compressive strength, reinforced concrete slab

	N	P	Q	R	S	T	U
36" x 48" Platform	7-5/8"	12-1/16"	76"	58-9/16"	5-15/16"	45"	10-15/16"
36" x 54" Platform	10-5/8"	15-1/16"	82"	58-9/16"	8-15/16"	51"	10-15/16"
36" x 60" Platform	13-5/8"	18-1/16"	88"	58-9/16"	11-15/16"	57"	10-15/16"
42" x 60" Platform	13-5/8"	18-1/16"	88"	64-9/16"	11-15/16"	56"	16-15/16"



Tall Models (VPL-3310B, VPL-3312B and VPL-3314B) Enclosure Straight Through Platform, with pit

bruno.com/cvpl | 1-800-848-3056
ILS-01278 - Rev. 3 • Sheet 1 of 3



Technical Data/Specifications

Rated load

- 750 lbs max

Input power source

- DC battery powered unit: 110-120 volt - 3 Amp 60 Hz battery charger

Drive

- DC battery powered unit: 1 hp motor, 1750 rpm, 24 VDC, continuous duty
Intermediate reduction: Dual 4L style Poly-V belts and pulleys, 3.94:1 pulley reduction
Final drive: 1 1/4" ACME screw w/bronze nut and bronze safety back up nut

Motor controller

- DC battery powered unit: 24 VDC relay control

Speed

- DC battery powered unit: 10 ft per minute maximum

For complete technical specifications, please see ILS-01100 "VPL-3300B Series Commercial Vertical Platform Lift Technical Specification."

Performance Standards

USA Food & Drug Administration: Class II, 510(K) Exempt, File No. 890.3930 Product Code: PCE

ASME A18. (Section 2) Safety Standards for Platform Lifts and Stairway Chairlifts

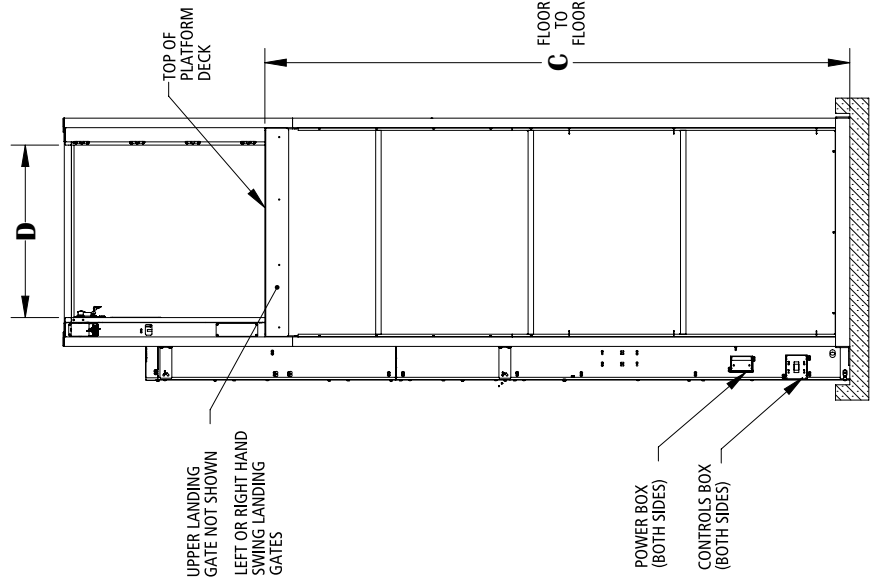
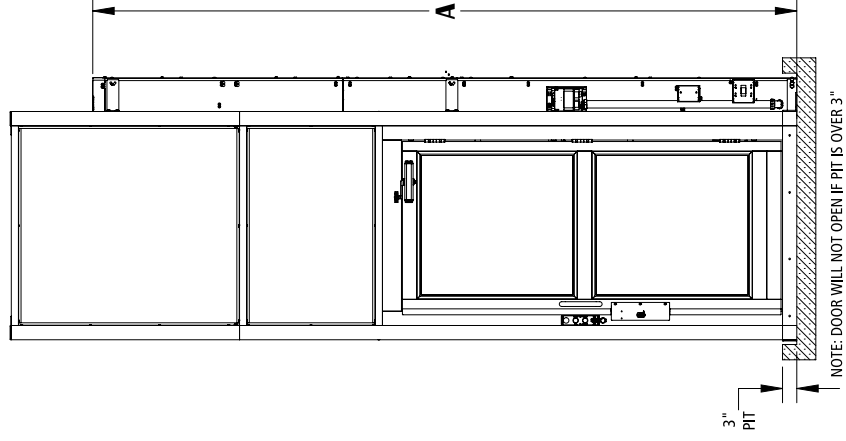
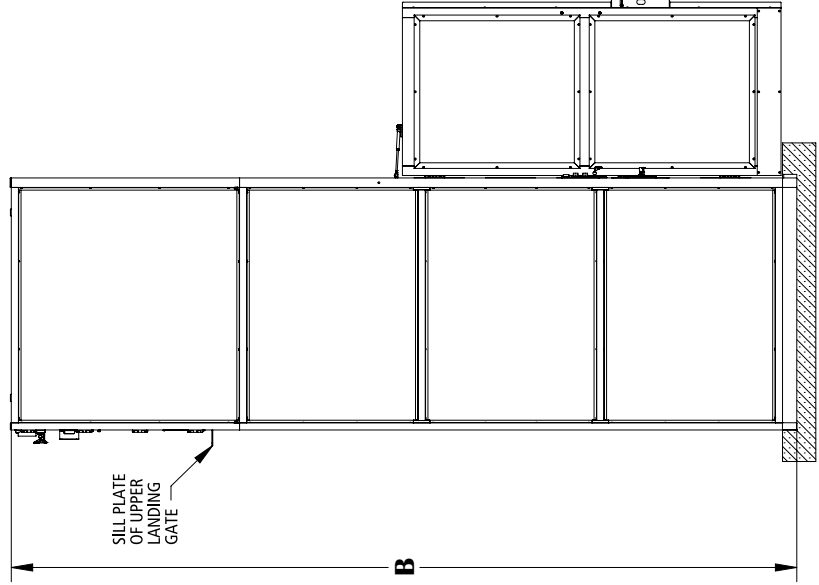
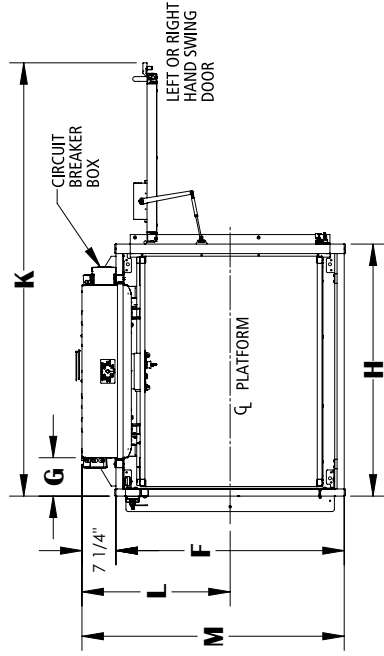
CSA B355 Lifts for Persons with Physical Disabilities

CSA B44. 1/ASME A17.5 Elevator and Escalator Equipment

Tall Models (VPL-3310B, VPL-3312B and VPL-3314B) Enclosure Straight Through Platform, with pit

Model	A	B	C MIN	C MAX
VPL-3310B	148-1/16"	165"	75"	123"
VPL-3312B	172-1/16"	189"	75"	147"
VPL-3314B	196-1/16"	213"	75"	171"

	D	F	G	H	K	L	M
36" x 48" Platform	36-1/4"	48"	8-1/4"	53"	91-1/8"	31-9/16"	55-1/4"
36" x 54" Platform	36-1/4"	48"	11-1/4"	59"	97-1/8"	31-9/16"	55-1/4"
36" x 60" Platform	36-1/4"	48"	14-1/4"	65"	103-1/8"	31-9/16"	55-1/4"
42" x 60" Platform	42-1/4"	54"	14-1/4"	65"	112-1/8"	34-9/16"	61-1/4"



NOTE: DOOR WILL NOT OPEN IF PIT IS OVER 3"

Anchor point locations/pit detail (VPL-3310B, VPL-3312B and VPL-3314B) Enclosure Straight through Platform, with pit

Technical Data/Specifications

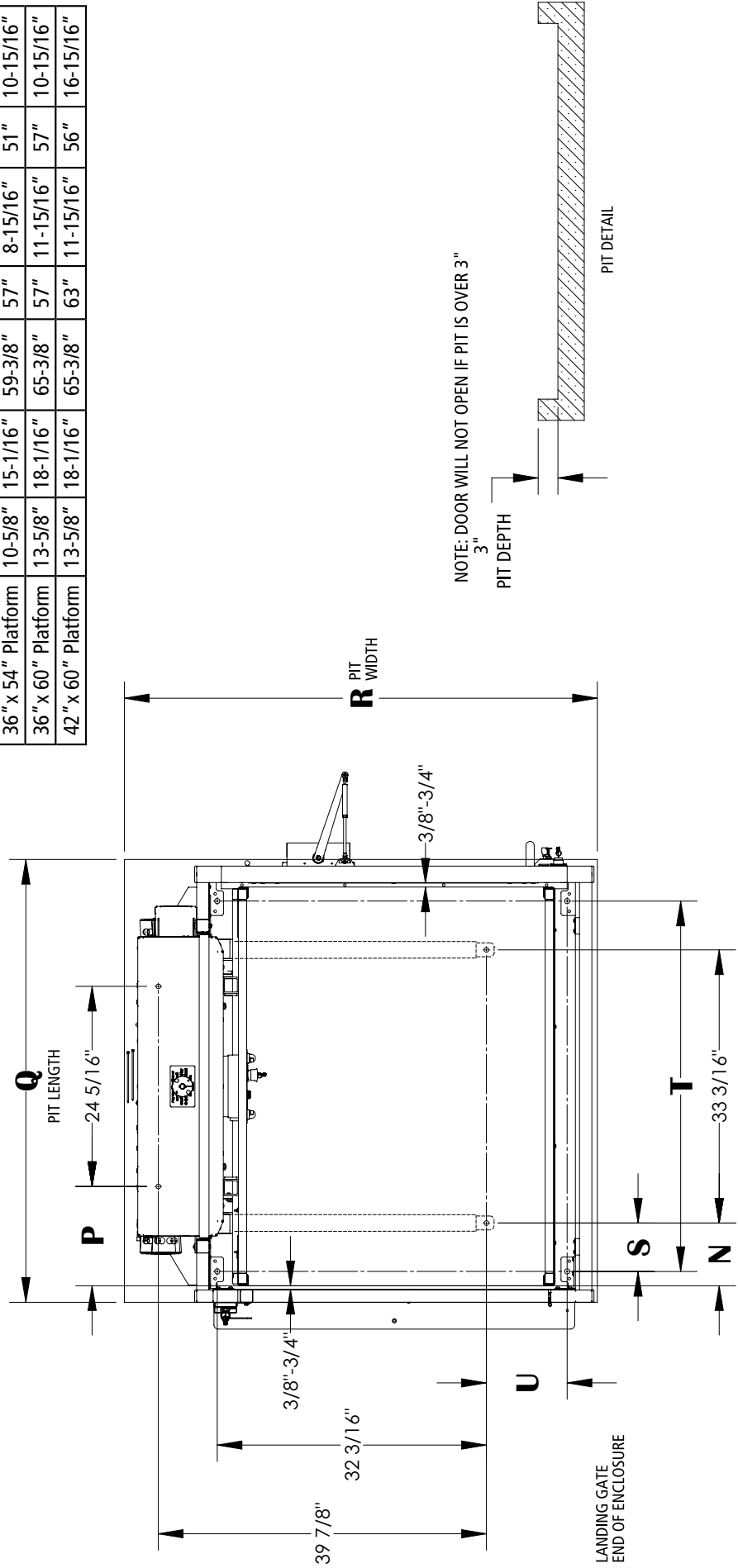
Floor Attachment

VPL must be fastened to concrete slab using four (4) 1/2" (3/8" bolt) x minimum 2-1/2" long concrete anchors suitable for the environment. Follow selected concrete anchor manufactures guidelines and applicable codes.

Floor Requirements

4" thick 3500 PSI minimum compressive strength, reinforced concrete slab

	N	P	Q	R	S	T	U
36" x 48" Platform	7-5/8"	12-1/16"	53-3/8"	57"	5-15/16"	45"	10-15/16"
36" x 54" Platform	10-5/8"	15-1/16"	59-3/8"	57"	8-15/16"	51"	10-15/16"
36" x 60" Platform	13-5/8"	18-1/16"	65-3/8"	57"	11-15/16"	57"	10-15/16"
42" x 60" Platform	13-5/8"	18-1/16"	65-3/8"	63"	11-15/16"	56"	16-15/16"



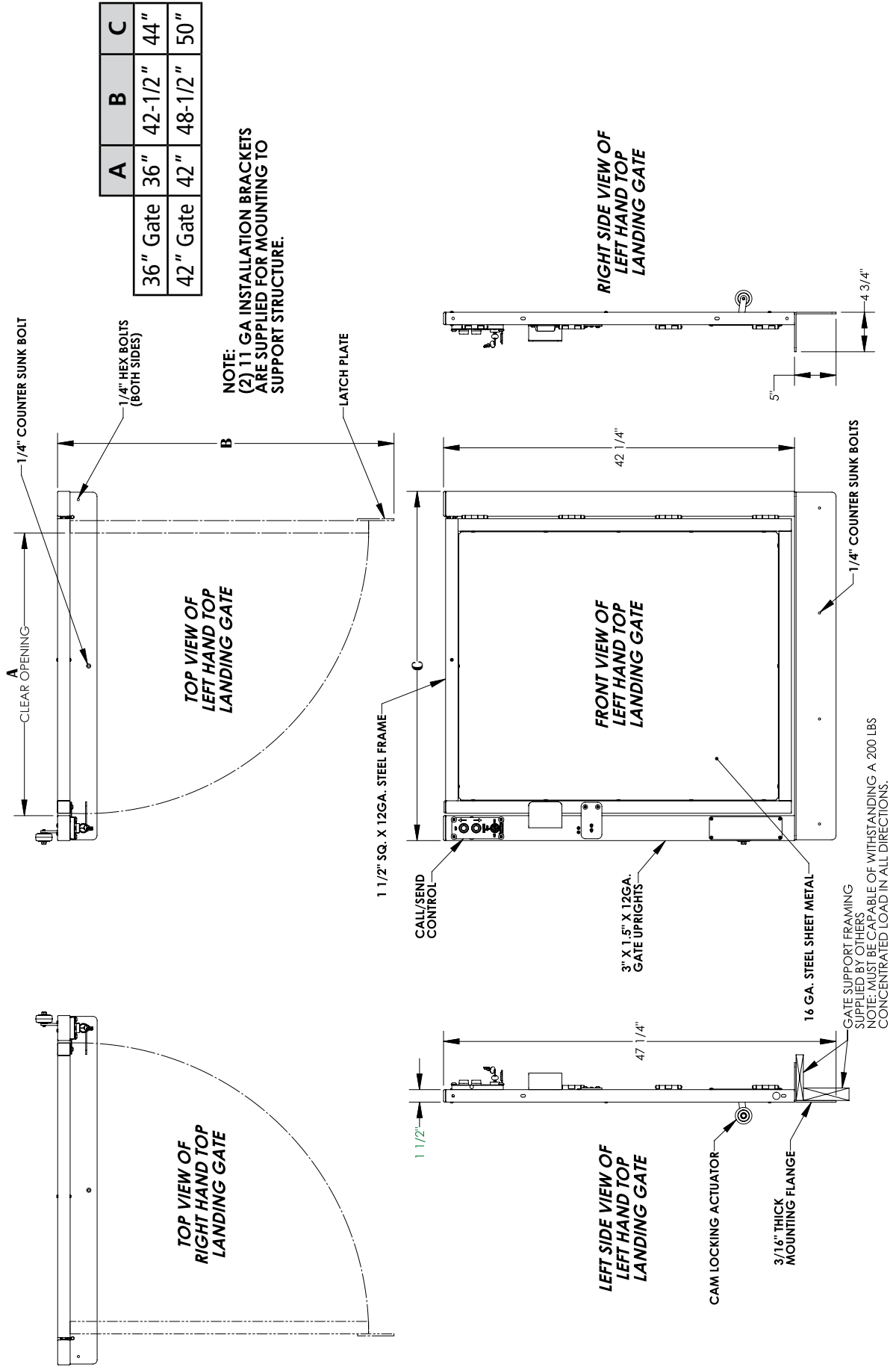
Landing Gate Detail

VPL-3300B Series

(Viewed at top landing)

bruno.com/cvpl | 1-800-848-3056
 ILS-00938 - Rev. 5 • Sheet 1 of 4

Note: All dimensions applicable for LH or RH landing gate.



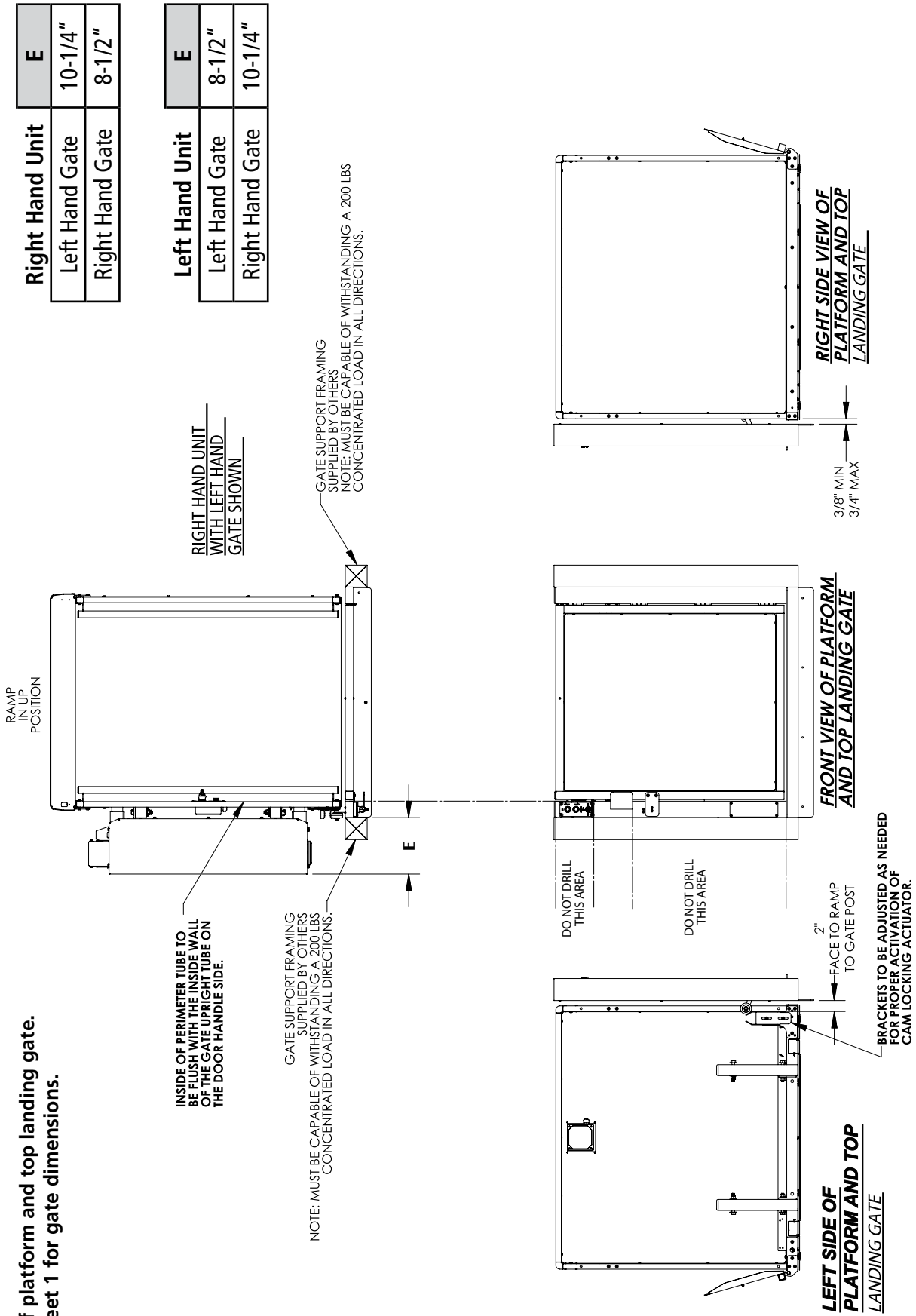
Landing Gate Detail

VPL-3300B Series Straight through Platform

(Viewed at top landing)

Note: All dimensions applicable for LH or RH landing gate

Top view of platform and top landing gate.
 Refer to sheet 1 for gate dimensions.



Right Hand Unit		E
Left Hand Gate		10-1/4"
Right Hand Gate		8-1/2"

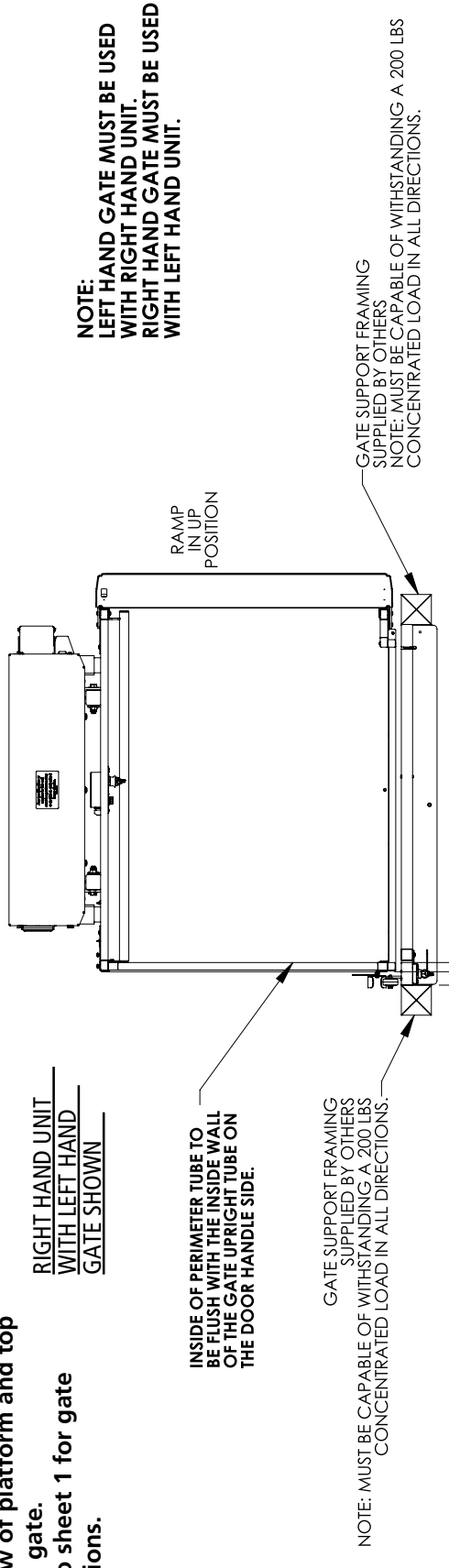
Left Hand Unit		E
Left Hand Gate		8-1/2"
Right Hand Gate		10-1/4"

Landing Gate Detail

VPL-3300B Series 90° / Adjacent Exit Platform

(Viewed at top landing)

Top view of platform and top landing gate.
 Refer to sheet 1 for gate dimensions.



RIGHT HAND UNIT WITH LEFT HAND GATE SHOWN

NOTE:
 LEFT HAND GATE MUST BE USED WITH RIGHT HAND UNIT.
 RIGHT HAND GATE MUST BE USED WITH LEFT HAND UNIT.

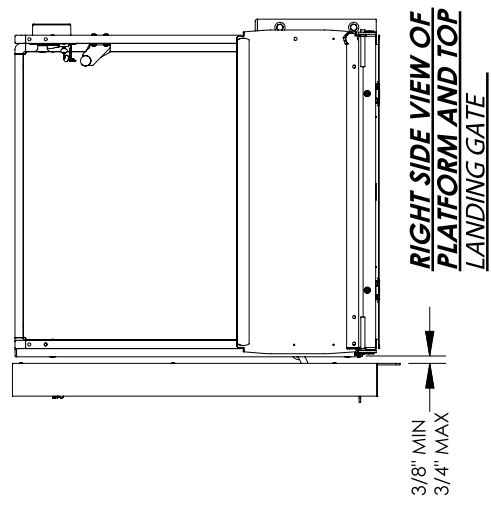
RAMP IN UP POSITION

INSIDE OF PERIMETER TUBE TO BE FLUSH WITH THE INSIDE WALL OF THE GATE UPRIGHT TUBE ON THE DOOR HANDLE SIDE.

GATE SUPPORT FRAMING SUPPLIED BY OTHERS. NOTE: MUST BE CAPABLE OF WITHSTANDING A 200 LBS CONCENTRATED LOAD IN ALL DIRECTIONS.

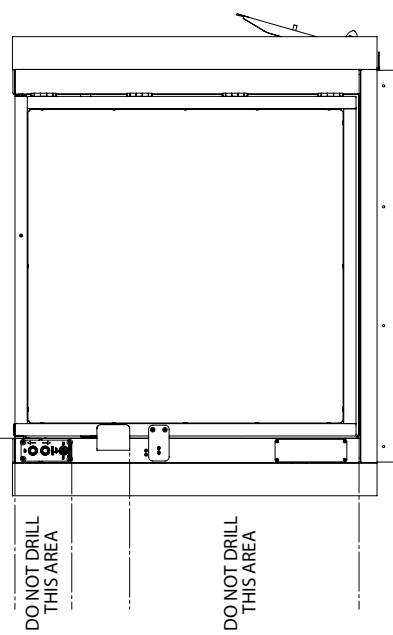
GATE SUPPORT FRAMING SUPPLIED BY OTHERS. NOTE: MUST BE CAPABLE OF WITHSTANDING A 200 LBS CONCENTRATED LOAD IN ALL DIRECTIONS.

1 3/4"
 OUTSIDE OF PLATFORM TO GATE SUPPORT FRAMING SUPPLIED BY OTHERS



RIGHT SIDE VIEW OF PLATFORM AND TOP LANDING GATE

3/8" MIN
 3/4" MAX

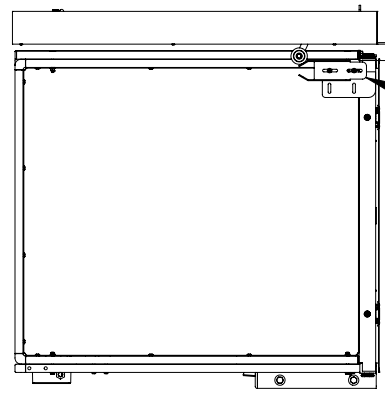


FRONT VIEW OF PLATFORM AND TOP LANDING GATE

DO NOT DRILL THIS AREA

DO NOT DRILL THIS AREA

2"
 FACE OF RAMP TO GATE POST



LEFT SIDE VIEW OF PLATFORM AND TOP LANDING GATE

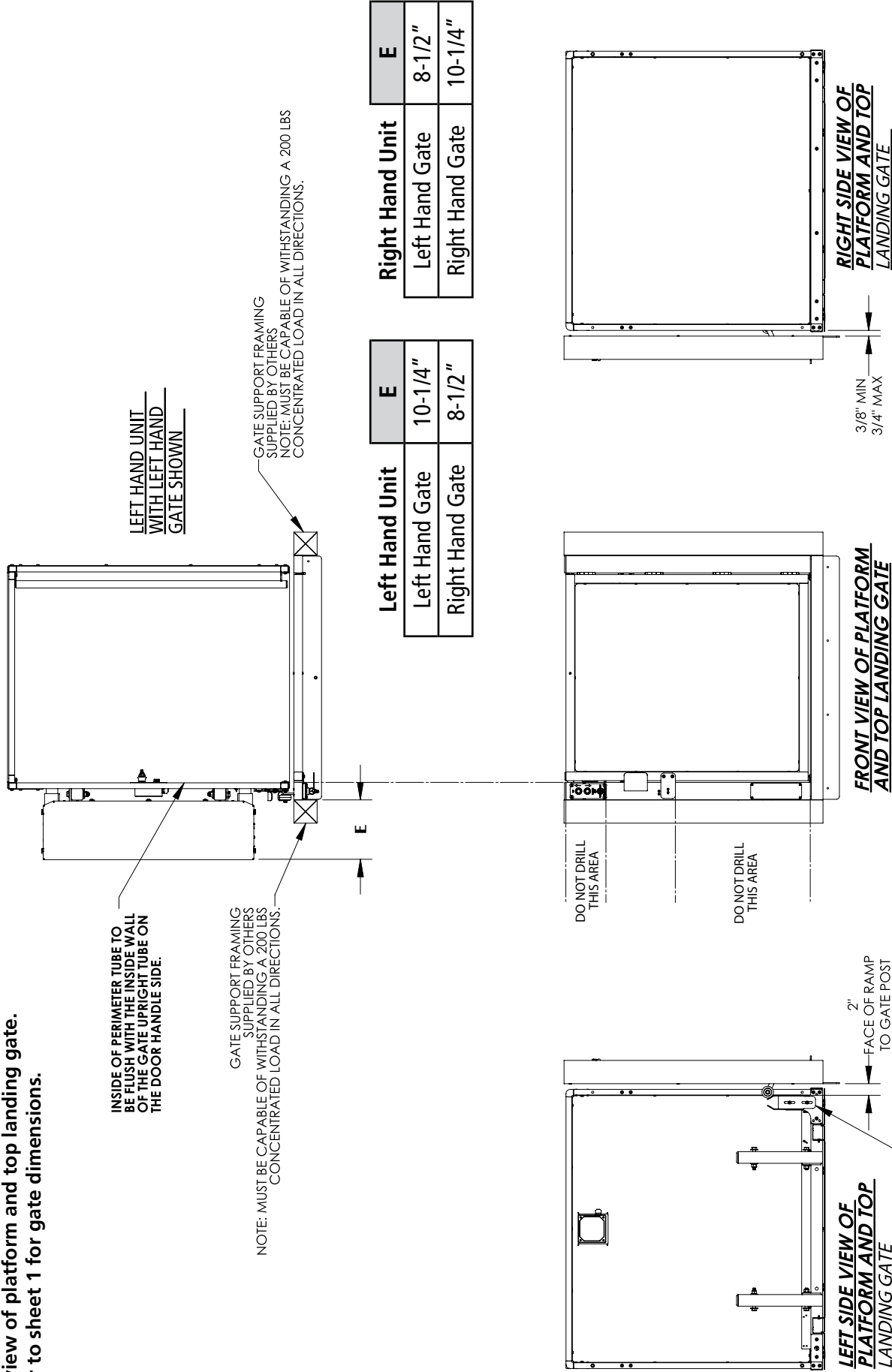
BRACKETS TO BE ADJUSTED AS NEEDED FOR PROPER ACTIVATION OF CAM LOCKING ACTUATOR.

Landing Gate Detail

VPL-3300B Series Same Side Platform

(Viewed at top landing)

Top view of platform and top landing gate.
 Refer to sheet 1 for gate dimensions.

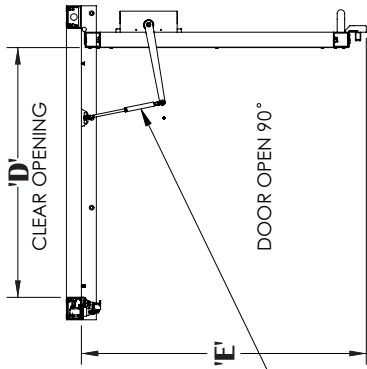


Flush mount aluminum door detail - LH Swing

Description	'A'	'B'	'C'	'D'	'E'
Flush mount 36" aluminum door	36"	42"	42-1/2"	33-3/8"	38-1/8"
Flush mount 45" aluminum door	45"	51"	51-1/2"	42-3/8"	47-1/8"

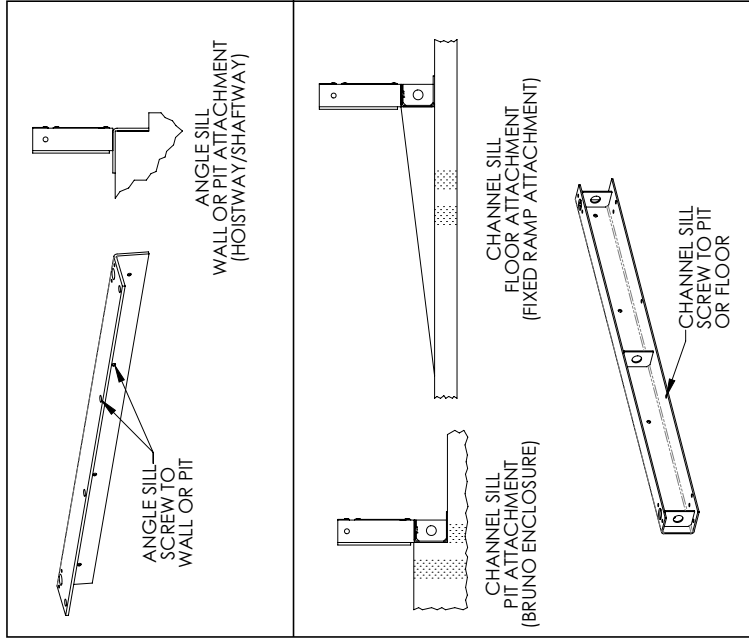
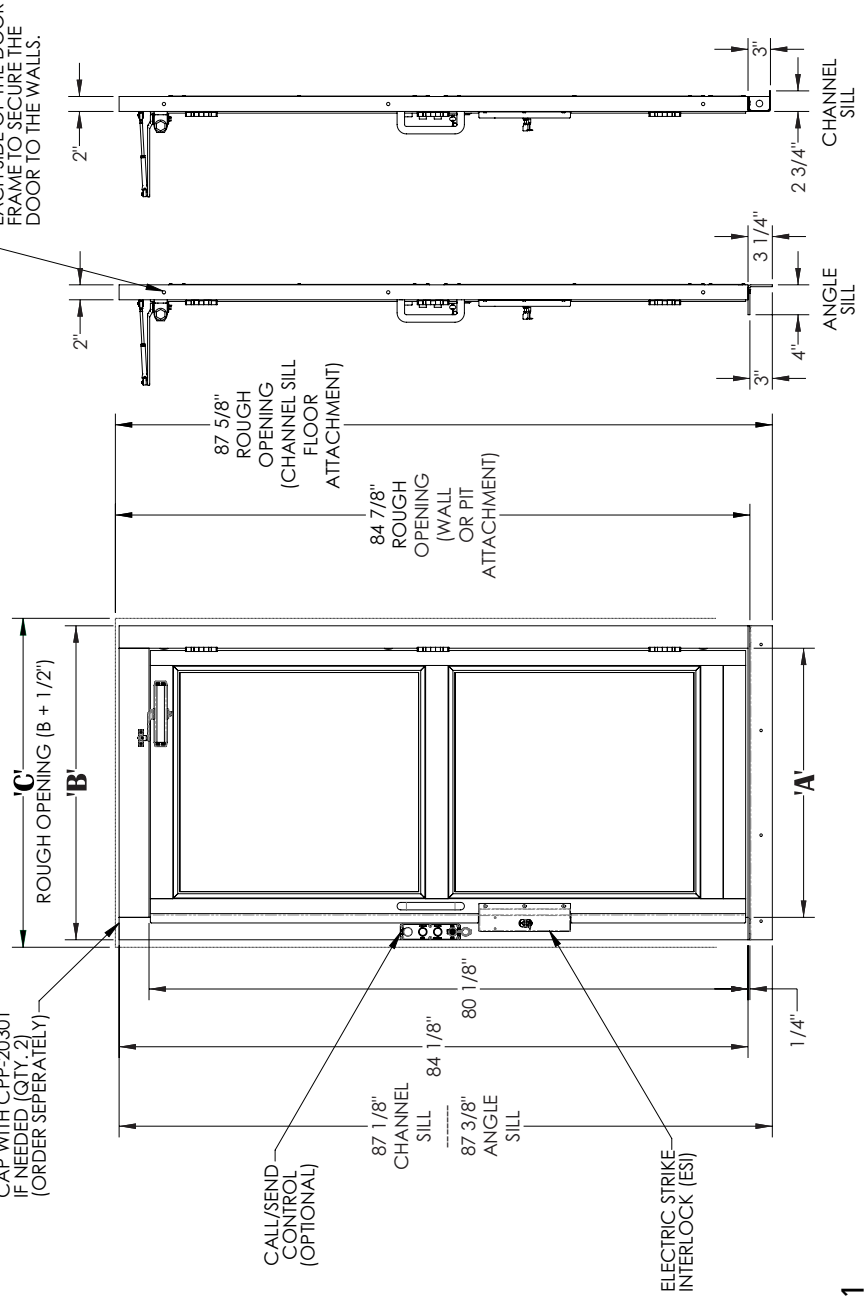
Notes:

- Two pieces of vertical frame trim is included. Trim can be used as needed when installing the door.
- Dealer to supply mounting hardware (i.e. screws, anchors).
- Panel insert material is either clear acrylic or bronze acrylic. Panels are shipped with a protective paper to be removed by installer
- When angle sill is used in a pit, pit depth should be at least 3"
- When channel sill is used in a pit, pit depth should be 3" (door will not open if pit is over 3").



DOOR CLOSER PROVIDED
 (REMOVED BY INSTALLER IF
 INSTALLING A DOOR OPENER)

CAP WITH CPP-20301
 IF NEEDED (QTY. 2)
 (ORDER SEPARATELY)

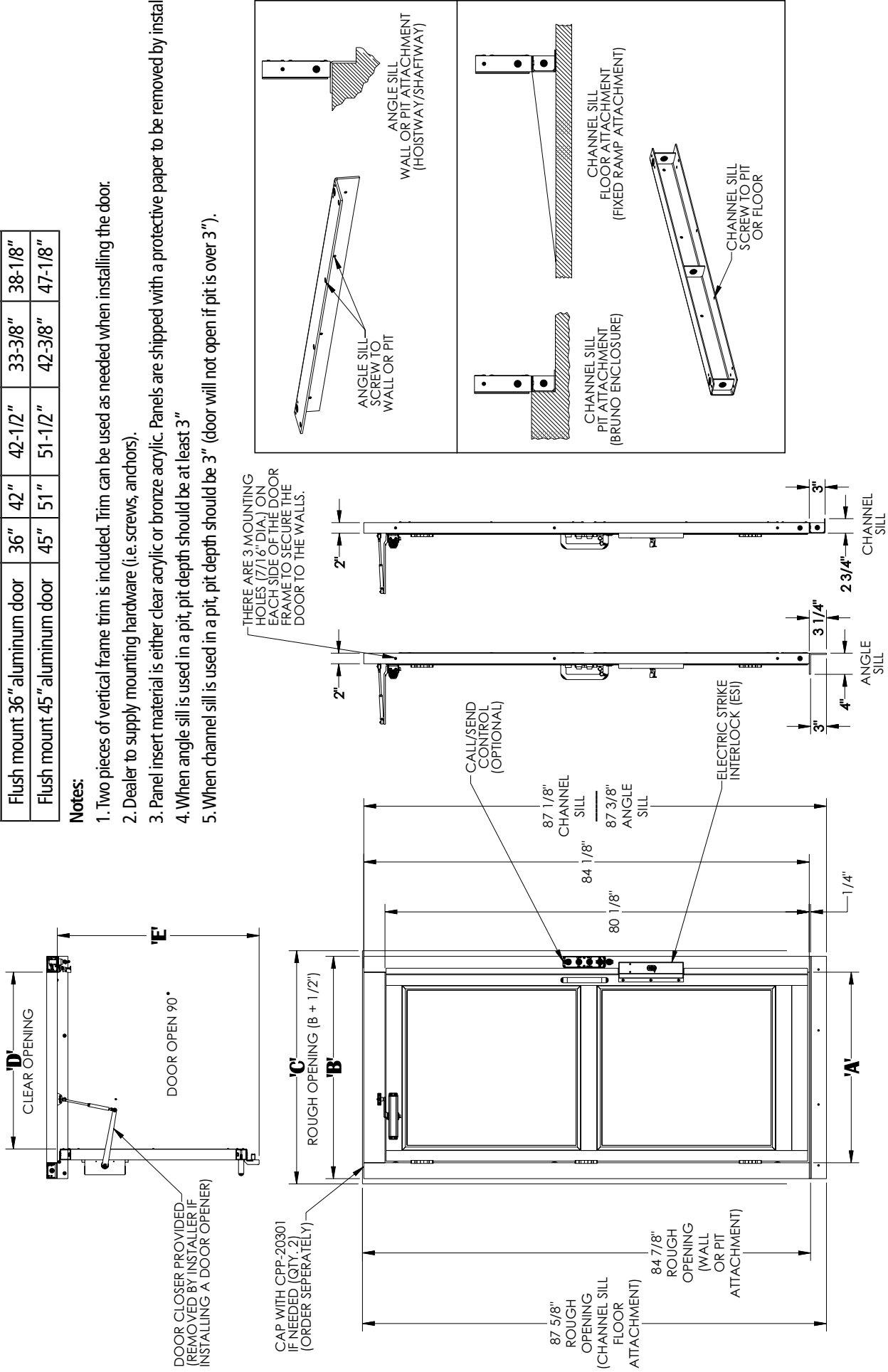


Flush mount aluminum door detail - RH Swing

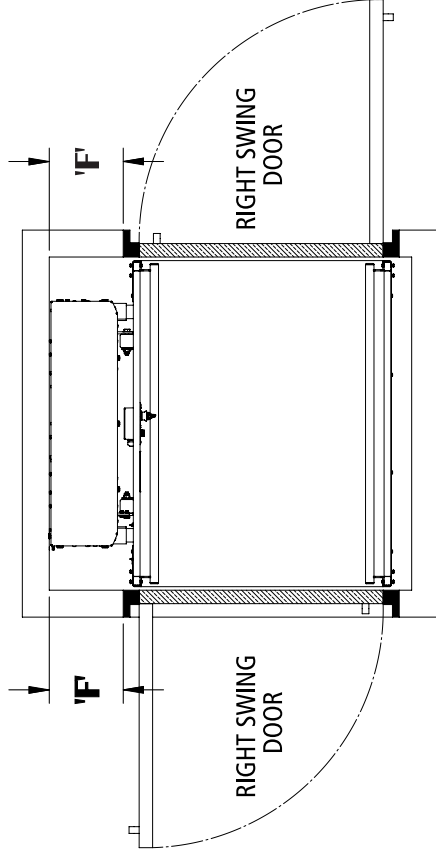
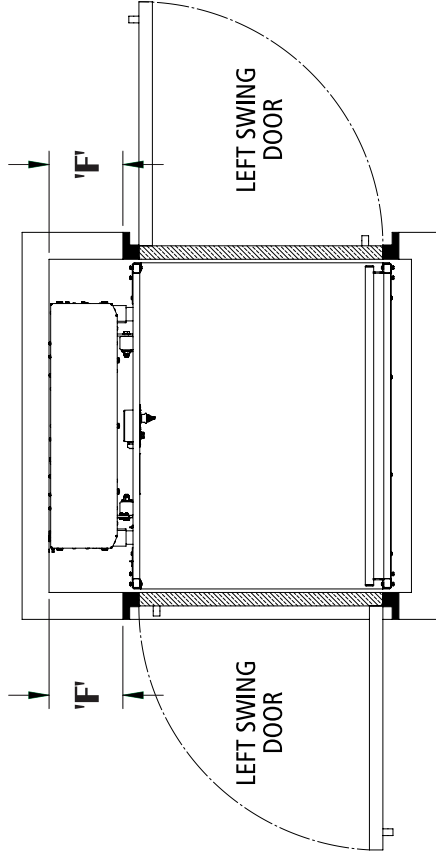
Description	'A'	'B'	'C'	'D'	'E'
Flush mount 36" aluminum door	36"	42"	42-1/2"	33-3/8"	38-1/8"
Flush mount 45" aluminum door	45"	51"	51-1/2"	42-3/8"	47-1/8"

Notes:

- Two pieces of vertical frame trim is included. Trim can be used as needed when installing the door.
- Dealer to supply mounting hardware (i.e. screws, andinos).
- Panel insert material is either clear acrylic or bronze acrylic. Panels are shipped with a protective paper to be removed by installer
- When angle sill is used in a pit, pit depth should be at least 3"
- When channel sill is used in a pit, pit depth should be 3" (door will not open if pit is over 3").

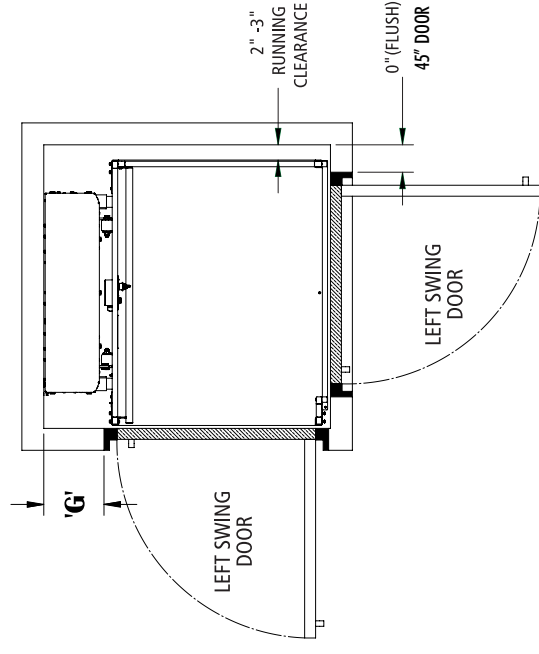
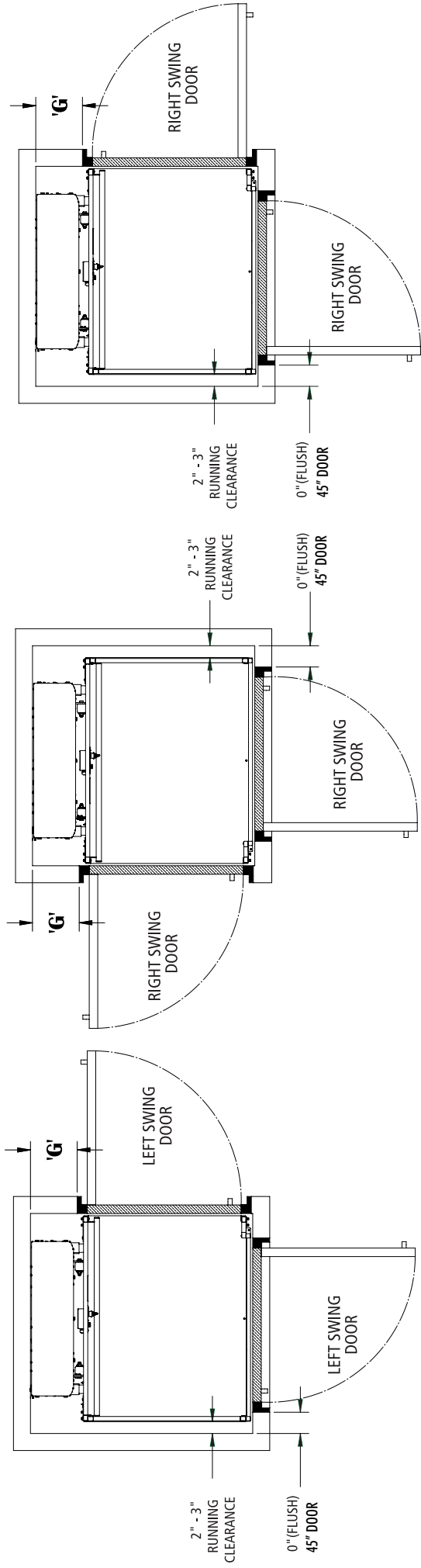


Flush mount aluminum door alignment Straight through platform - plan views



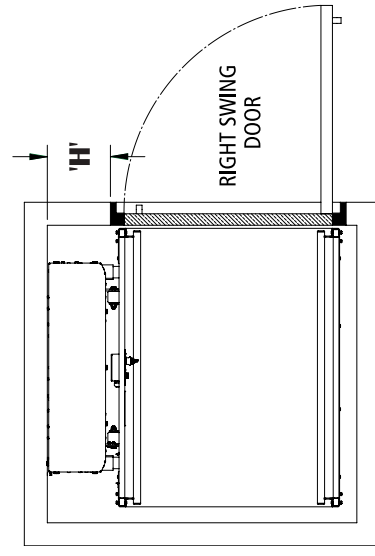
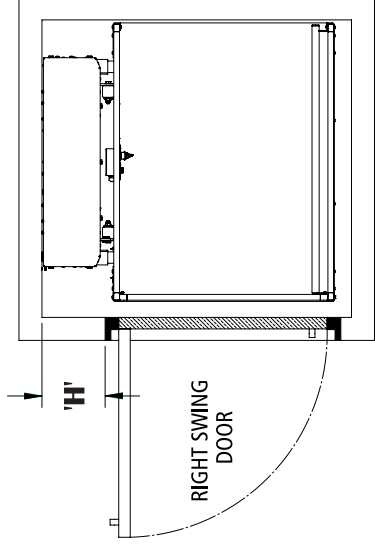
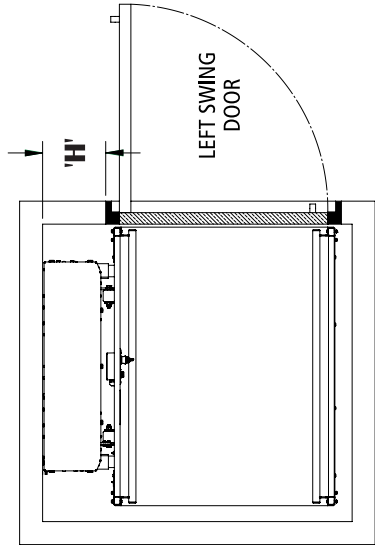
Door Size	Door Location	Door Swing	LH Unit 'F'	RH Unit 'F'
36"	Lower landing	Left swing door	11-5/8"	9-1/8"
36"	Lower landing	Right swing door	9-1/8"	11-5/8"
36"	Upper landing	Left swing door	9-1/8"	11-5/8"
36"	Upper landing	Right swing door	11-5/8"	9-1/8"
45"	Lower landing	Left swing door	10-1/8"	7-5/8"
45"	Lower landing	Right swing door	7-5/8"	10-1/8"
45"	Upper landing	Left swing door	7-5/8"	10-1/8"
45"	Upper landing	Right swing door	10-1/8"	7-5/8"

Flush mount aluminum door alignment 90°/Adjacent exit platform- plan views

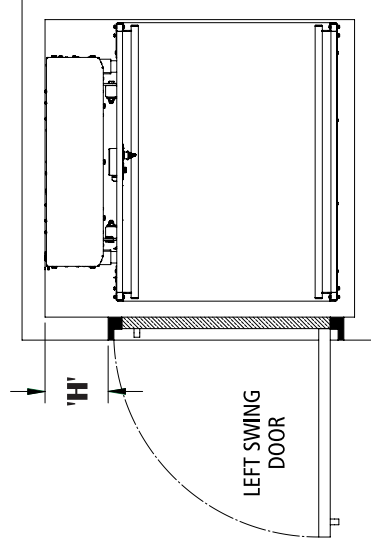


Platform Size	Door Size	Door Location	Door Swing	LH Unit 'G'	RH Unit 'G'
36"	36"	Lower landing	Left swing door	11-5/8"	9-1/8"
36"	36"	Lower landing	Right swing door	9-1/8"	11-5/8"
36"	45"	Upper landing	Left swing door	Flush	1"
36"	45"	Upper landing	Right swing door	1"	Flush
42"	45"	Lower landing	Left swing door	10-1/8"	7-5/8"
42"	45"	Lower landing	Right swing door	7-5/8"	10-5/8"
42"	45"	Upper landing	Left swing door	Flush	1"
42"	45"	Upper landing	Right swing door	1"	Flush

Flush mount aluminum door alignment Same side platform - Plan views



Door Size	Door Location	Door Swing	LH Unit 'H'	RH Unit 'H'
36"	Lower landing	Left swing door	11-5/8"	9-1/8"
36"	Lower landing	Right swing door	9-1/8"	11-5/8"
36"	Upper landing	Left swing door	11-5/8"	9-1/8"
36"	Upper landing	Right swing door	9-1/8"	11-5/8"
45"	Lower landing	Left swing door	10-1/8"	7-5/8"
45"	Lower landing	Right swing door	7-5/8"	10-1/8"
45"	Upper landing	Left swing door	10-1/8"	7-5/8"
45"	Upper landing	Right swing door	7-5/8"	10-1/8"





Bruno Independent Living Aids, Inc.
 1780 Executive Drive, Oconomowoc, WI 53066
www.bruno.com

1-800-848-3056 | bruno.com/cvpl

© Bruno Independent Living Aids, Inc. 2021