

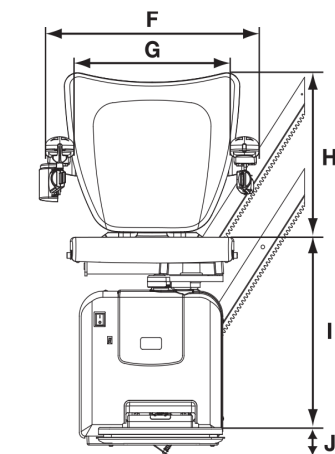
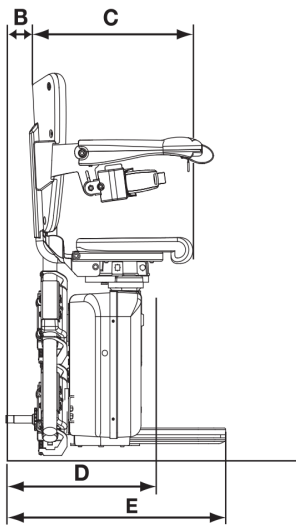
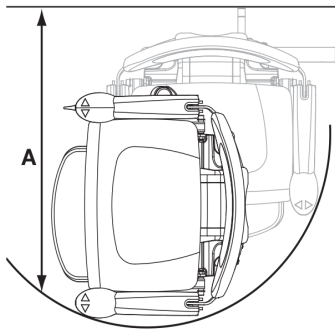


# Handicare 2000 Style

Twin rail curved stairlifts

# Handicare 2000 style

## Twin rail curved stairlifts



Style Seat		Dimensions
A	Minimum swivel radius	28.34in
	With short armrest	26.96in
B	Wall to inner seat back	3.62in
C	Seat depth	15.35in
D	Minimum folded width to footplate	15.74in
E	Minimum open width to edge footplate	26.53in
F	Armrest width – external	22.44in
G	Armrest width – internal	16.92in
H	Seat back height	15.74in
I	Footplate to seat height	19.56-22.79in
	Higher footplate height	18.77-22in
J	Minimum footplate height	2.75in
Minimum track intrusion into staircase		4.56in
Maximum weight limit		250lbs
Heavy duty version		300lbs
Speed		0.12m/sec
Maximum staircase angle		45°

Some of the above dimensions depend on the characteristics of the staircase in the home. Please consult the sales manual for further information about these dimensions and features of this seat. All information is provided in good faith but does not constitute a guarantee. Handicare reserves the right to alter designs and specifications without prior notice.

HANDICARE  
10888 Metro Court  
St. Louis, MO 63043  
866.891.6502  
handicareusa.com